

THE WHARF SPECTRA REFURBISHMENT



DRAWING INDEX

ID 1.1	Title Sheet	LX 4.1D	East Retail Building 2 Riser
LX 1.1	Light Plot Identification	LX 4.1E	West Retail Building 1 Riser
LX 1.1A	East Retail Building 1	LX 4.1F	West Retail Building 2 Riser
LX 1.1B	East Retail Building 2	LX 4.1G	Trees T1-T4 Riser
LX 1.1C	West Retail Building 1	LX 4.1H	Island 1 Riser
LX 1.1D	West Retail Building 2	LX 4.1I	Island 2 Riser
LX 1.1E	Trees T1-T4	LX 4.1J	Island 3 Riser
LX 1.1F	Island 1 - Trees T5-T11	LX 4.1K	Island 4 Riser
LX 1.1G	Island 2 - Trees T12-T19	LX 4.1L	Paladin Cubes Power Riser
LX 1.1H	Island 3	LX 4.1M	LX Single-Line
LX 1.1I	Island 4	LX 4.1N	Network Single-Line
LX 1.2	Pixel Plot - Identification	LX 4.1O	Rack Elevations
LX 1.2A	Pixel Plot - Trees T1-T4	LX 5.1A	Conduit Cable Paths
LX 1.2B	Pixel Plot - Island 1 - Trees T5-T11	LX 5.1B	Conduit Cable Paths
LX 1.2C	Pixel Plot - Island 2 - Trees T12-T19	LX 5.1C	Circuit Drawing
LX 1.3	Laser Projector Plot - Identification	LX 5.1D	Circuit Drawing
LX 1.3A	East Laser Projector 1	LX 5.1E	West Side Control Relay Drawing
LX 1.3B	East Laser Projector 2	LX 5.1F	East Side Control Relay Control Drawing
LX 1.3C	West Laser Projector 3	LX 5.1G	Event Lighting Panel 1-A
LX 1.3D	West Laser Projector 4	LX 5.1H	Event Lighting Panel 1-B
LX 1.4	Fogger/Hazer Plot - Identification	LX 5.1I	Event Lighting Panel 1-C
LX 1.4A	Island 1 - Trees T5-T11	LX 5.1J	Event Lighting Panel 2-A
LX 1.4B	Island 2 - Trees T12-T19	LX 5.1K	Event Lighting Panel 2-B
LX 2.1A	Color Kinetics Colorblast 12P Mounting Detail	LX 6.1A	Color Kinetics Colorblast 12P Spec Sheet
LX 2.1B	Elation Paladin Cube Mounting Detail	LX 6.1B	Color Kinetics Colorblast 12P Spec Sheet
LX 2.1C	Elation Paladin Panel Mounting Detail	LX 6.1C	Color Kinetics Data Enabler Spec Sheet
LX 2.1D	Elation Proteus Hybrid Mounting Detail	LX 6.1D	Color Kinetics Data Enabler Spec Sheet
LX 2.1E	Elation Proteus Rayzor 760 Mounting Detail	LX 6.1E	Elation Paladin Cube Spec Sheet
LX 2.2A	Pixel Mounting Detail	LX 6.1F	Elation Paladin Panel Spec Sheet
LX 2.2B	Pixel Control Box Mounting Detail	LX 6.1G	Elation Proteus Hybrid Spec Sheet
LX 2.3A	Laser Detail	LX 6.1H	Elation Proteus Rayzor 760 Spec Sheet
LX 2.3B	E-Stop Detail	LX 6.2A	Advatek Pixel Control Box Spec Sheet
LX 2.4A	Fogger/Hazer Detail	LX 6.2B	PixelLite Pro Datasheet
LX 2.4B	Fogger/Hazer Enclosure Detail	LX 6.2C	City Theatrical Pixel Box Cover Detail
LX 2.4C	Fogger/Hazer Equipment Detail	LX 6.2D	City Theatrical Pixel Box Cover Detail
LX 2.4D	Fogger/Hazer Interior & Door Detail	LX 6.3A	Laser Projector Detail Sheet
LX 3.1A	Lighting Instrument Schedule	LX 6.3B	Laser Projector Detail Sheet
LX 3.1B	Lighting Instrument Schedule	LX 6.3C	Laser Projector Detail Sheet
LX 3.1C	Network Schedule	LX 6.3D	Laser Projector Detail Sheet
LX 3.1D	Network Schedule	LX 6.4A	Antari AF 5 Effects Fan Spec Sheet
LX 3.1E	Color and Gobo Schedule	LX 6.4B	Lock Solutions Unique 2.1 Hazer Spec Sheet
LX 4.1A	EER Network Riser	LX 6.4C	Lock Solutions Viper 2.0 Fogger Spec Sheet
LX 4.1B	EER Data Riser	LX 7.1	Magic Sheet
LX 4.1C	East Retail Building 1 Riser		



THE WHARF - SPECTRA REFURBISHMENT

VENUE
ORANGE BEACH,
ALABAMA
LOAD IN
05/08/2020

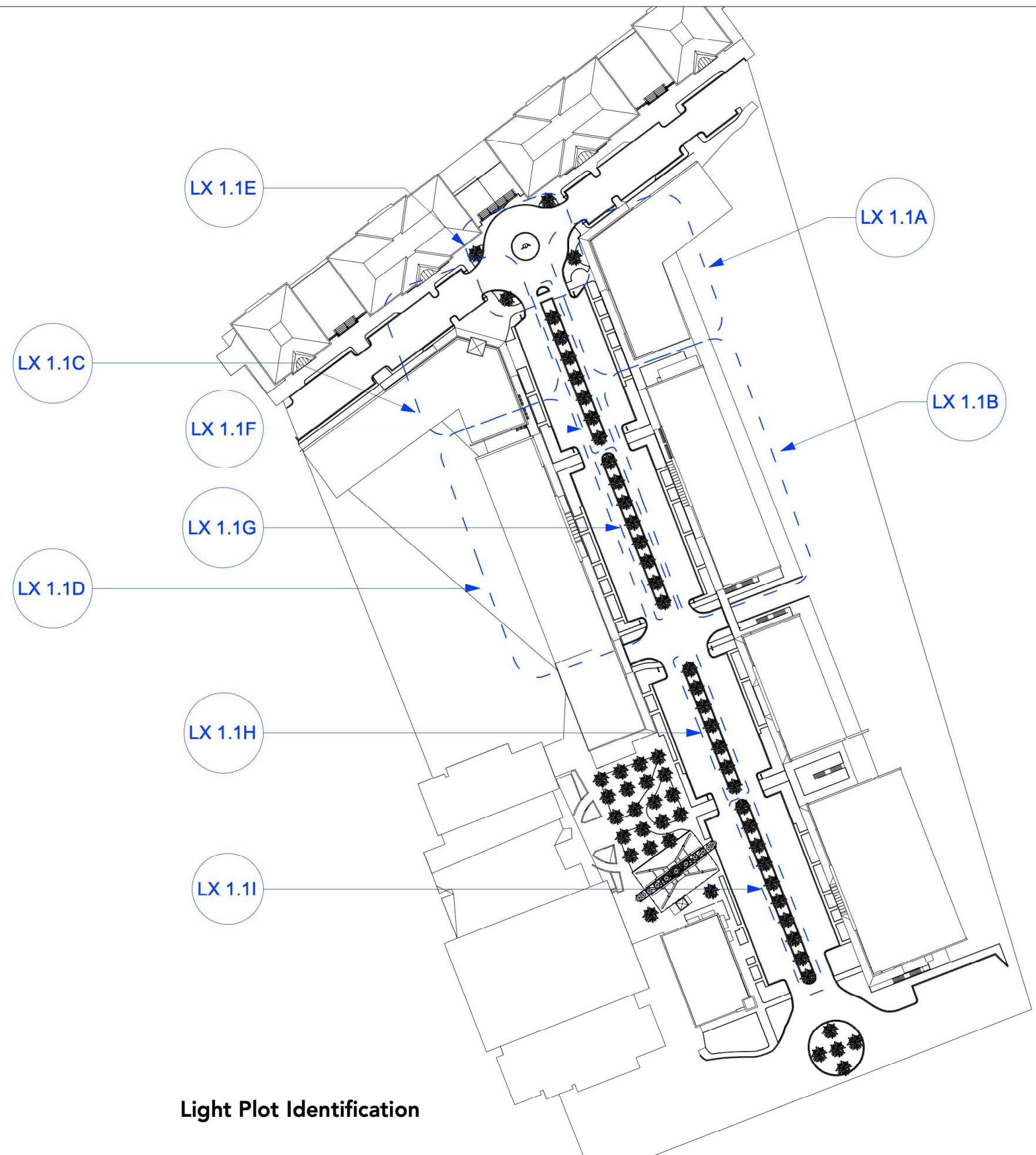
This drawing and information contained herein is for general presentation and information review purposes only. This drawing is not intended for use on or in lieu of engineering design plans. This drawing and the information contained therein is the confidential, proprietary information of Cue 13 Design, LLC, and may not be used or reproduced without the approval of Cue 13 Design, LLC.

ISSUE
5/22/20

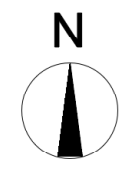
DESIGNED BY
R. STUMPP
DRAWN BY
A. LIGHT

Title Sheet

ID
1.1



Light Plot Identification



**THE WHARF -
SPECTRA
REFURBISHMENT**

VENUE
ORANGE BEACH,
ALABAMA
LOAD IN
05/08/2020

This drawing and information contained herein is for general presentation and information review purposes only. This drawing is not intended for use on or in lieu of engineering design plans. This drawing and the information contained therein is the confidential, proprietary information of Cue 13 Design, LLC, and may not be used or reproduced without the approval of Cue 13 Design, LLC.






ISSUE
5/22/20

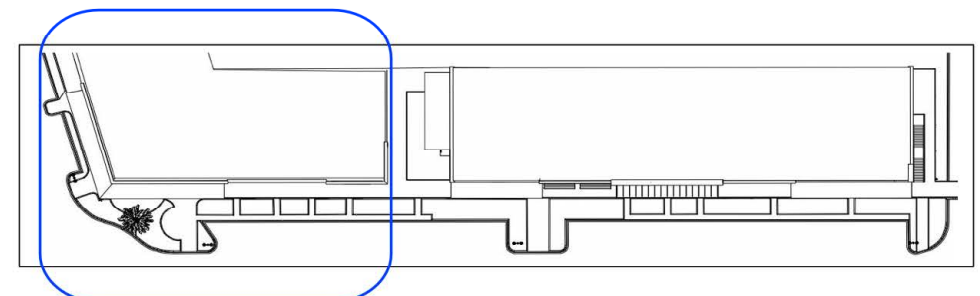
DESIGNED BY
R. STUMPP
DRAWN BY
A. LIGHT

**Light Plot
Identification**

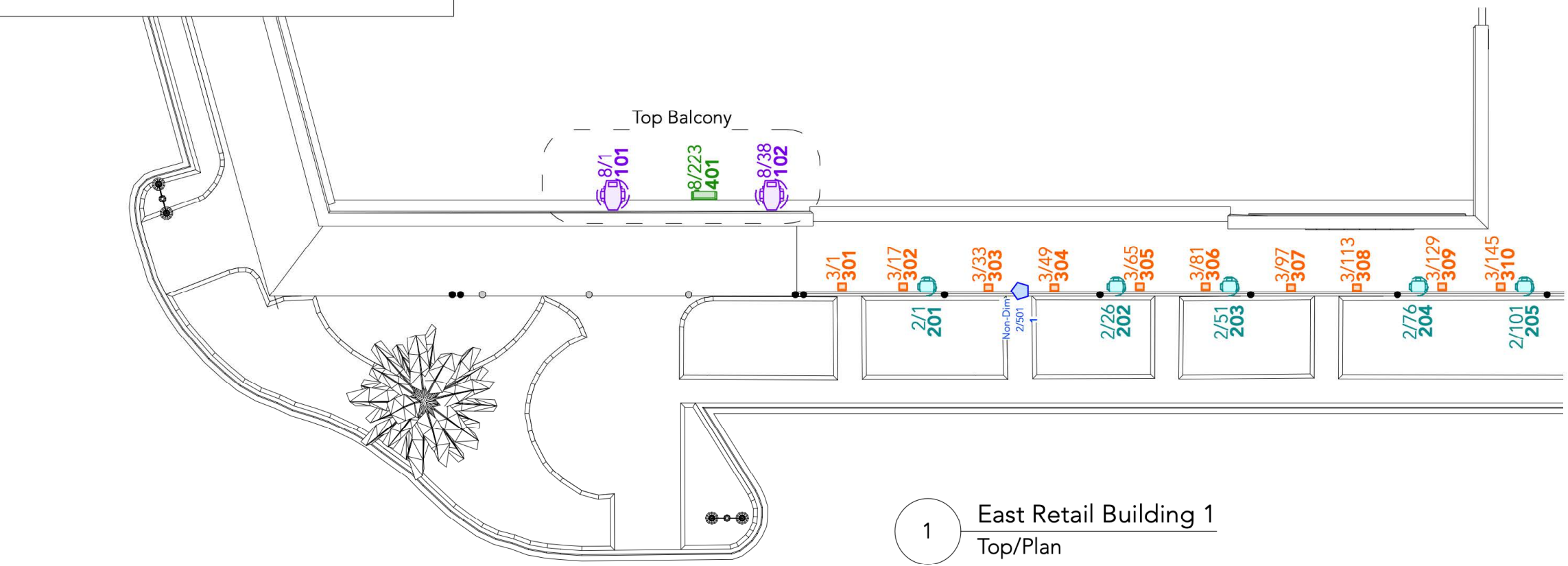
**LX
1.1**

Symbol Key

	Elation Paladin Cube	10
	Elation Paladin Panel	1
	Elation Proteus Hybrid	2
	Elation Proteus Rayzor 760	5
	Random Sparkle Strobe Non-Dim	1



NOTES:
 Paladin Cube Mounting Detail See LX 2.1B
 Paladin Panel Mounting Detail See LX 2.1C
 Proteus Hybrid Mounting Detail See LX 2.1D
 Proteus Rayzor 760 Mounting Detail See LX 2.1E



1 East Retail Building 1
Top/Plan



2 East Retail Building 1
Front Elevation



THE WHARF -
SPECTRA
REFURBISHMENT

VENUE
 ORANGE BEACH,
 ALABAMA
 LOAD IN
 05/08/2020

This drawing and information contained herein is for general presentation and information review purposes only. This drawing is not intended for use on or in lieu of engineering design plans. This drawing and the information contained therein is the confidential, proprietary information of Cue 13 Design, LLC, and may not be used or reproduced without the approval of Cue 13 Design, LLC.





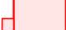

ISSUE
 5/22/20

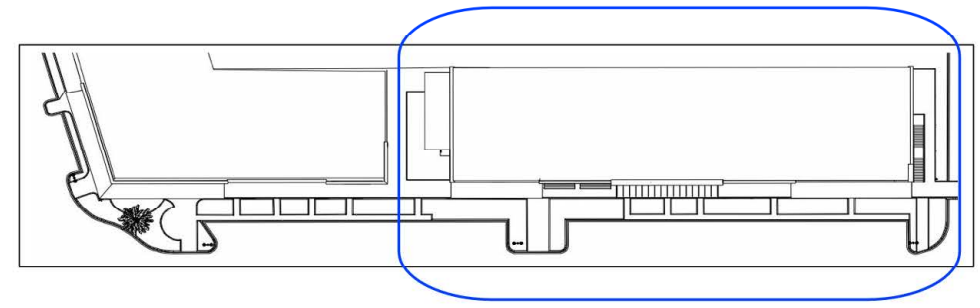
DESIGNED BY
 R. STUMPP
 DRAWN BY
 A. LIGHT

East Retail
Building 1

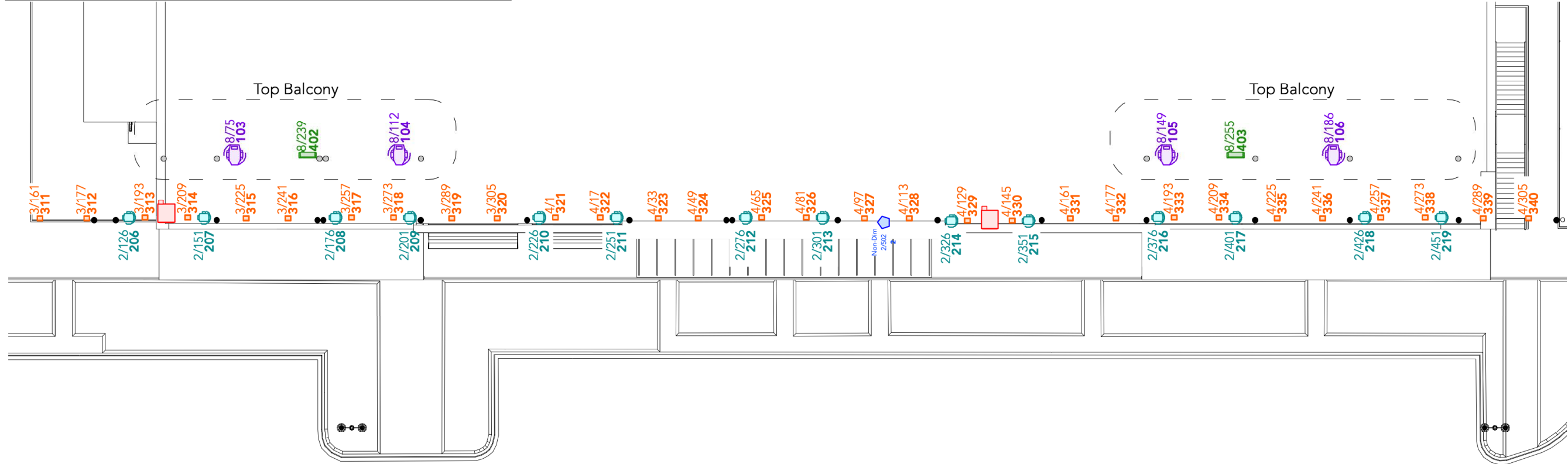
LX
1.1A

Symbol Key

	Elation Paladin Cube	30
	Elation Paladin Panel	2
	Elation Proteus Hybrid	4
	Elation Proteus Rayzor 760	14
	Phaenon Pro Laser Projector	2
	Random Sparkle Strobe Non-Dim	1



NOTES:
 Paladin Cube Mounting Detail See LX 2.1B
 Paladin Panel Mounting Detail See LX 2.1C
 Proteus Hybrid Mounting Detail See LX 2.1D
 Proteus Rayzor 760 Mounting Detail See LX 2.1E
 Phaenon Pro Laser Projector Detail See LX 2.3A



1 East Retail Building 2
Top/Plan



2 East Retail Building 2
Front Elevation



THE WHARF -
SPECTRA
REFURBISHMENT

VENUE
 ORANGE BEACH,
 ALABAMA
 LOAD IN
 05/08/2020

This drawing and information contained herein is for general presentation and information review purposes only. This drawing is not intended for use on or in lieu of engineering design plans. This drawing and the information contained therein is the confidential, proprietary information of Cue 13 Design, LLC, and may not be used or reproduced without the approval of Cue 13 Design, LLC.







ISSUE
 5/22/20

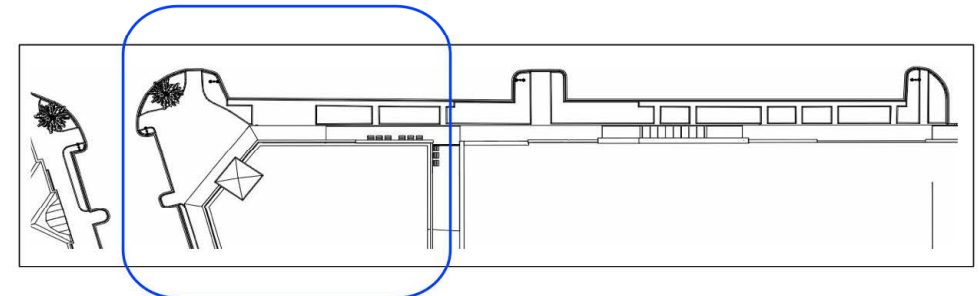
DESIGNED BY
 R. STUMPP
 DRAWN BY
 A. LIGHT

East Retail
Building 2

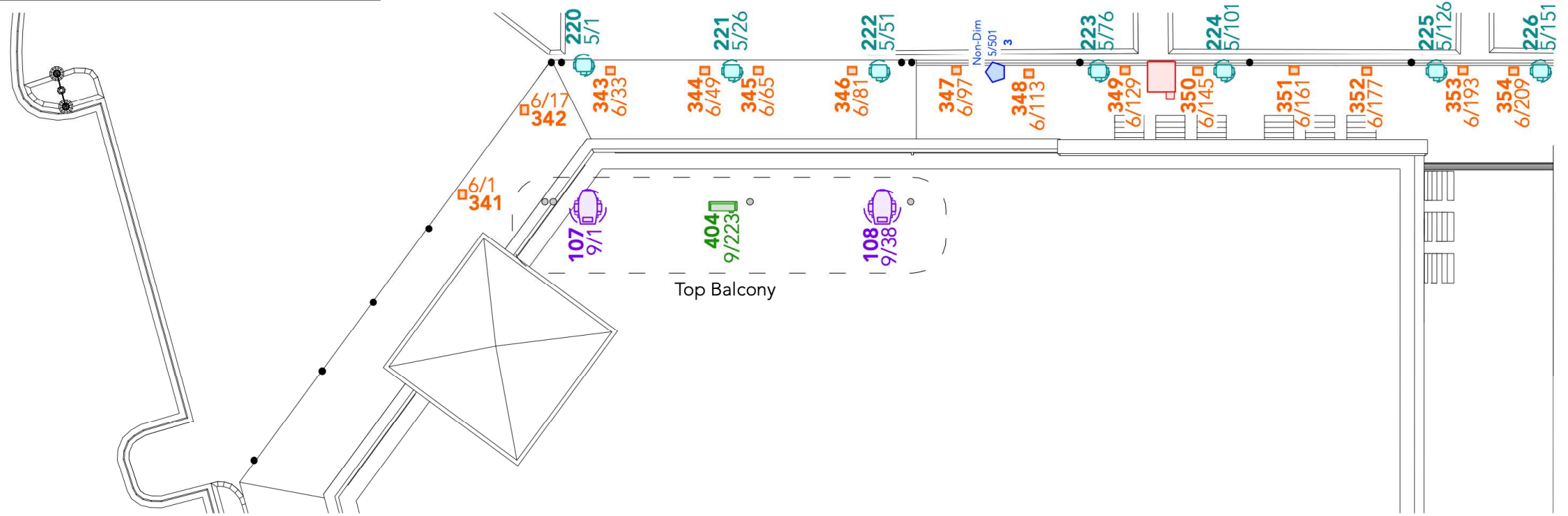
LX
1.1B

Symbol Key

	Elation Paladin Cube	14
	Elation Paladin Panel	1
	Elation Proteus Hybrid	2
	Elation Proteus Rayzor 760	7
	Phaenon Pro Laser Projector	1
	Random Sparkle Strobe Non-Dim	1



NOTES:
 Paladin Cube Mounting Detail See LX 2.1B
 Paladin Panel Mounting Detail See LX 2.1C
 Proteus Hybrid Mounting Detail See LX 2.1D
 Proteus Rayzor 760 Mounting Detail See LX 2.1E
 Phaenon Pro Laser Projector Detail See LX 2.3A



1 West Retail Building 1
Top/Plan



2 West Retail Building 1
Front Elevation



THE WHARF -
SPECTRA
REFURBISHMENT

VENUE
 ORANGE BEACH,
 ALABAMA
 LOAD IN
 05/08/2020

This drawing and information contained herein is for general presentation and information review purposes only. This drawing is not intended for use on or in lieu of engineering design plans. This drawing and the information contained therein is the confidential, proprietary information of Cue 13 Design, LLC, and may not be used or reproduced without the approval of Cue 13 Design, LLC.







ISSUE
 5/22/20

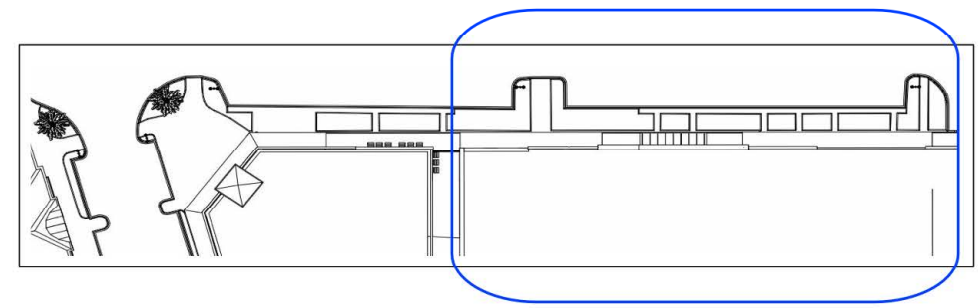
DESIGNED BY
 R. STUMPP
 DRAWN BY
 A. LIGHT

West Retail
Building 1

LX
1.1C

Symbol Key

	Elation Paladin Cube	26
	Elation Paladin Panel	2
	Elation Proteus Hybrid	4
	Elation Proteus Rayzor 760	12
	Phaenon Pro Laser Projector	1
	Random Sparkle Strobe Non-Dim	1



NOTES:
 Paladin Cube Mounting Detail See LX 2.1B
 Paladin Panel Mounting Detail See LX 2.1C
 Proteus Hybrid Mounting Detail See LX 2.1D
 Proteus Rayzor 760 Mounting Detail See LX 2.1E
 Phaenon Pro Laser Projector Detail See LX 2.3A



THE WHARF -
SPECTRA
REFURBISHMENT

VENUE
 ORANGE BEACH,
 ALABAMA
 LOAD IN
 05/08/2020

This drawing and information contained herein is for general presentation and information review purposes only. This drawing is not intended for use on or in lieu of engineering design plans. This drawing and the information contained therein is the confidential, proprietary information of Cue 13 Design, LLC, and may not be used or reproduced without the approval of Cue 13 Design, LLC.

ISSUE
 5/22/20

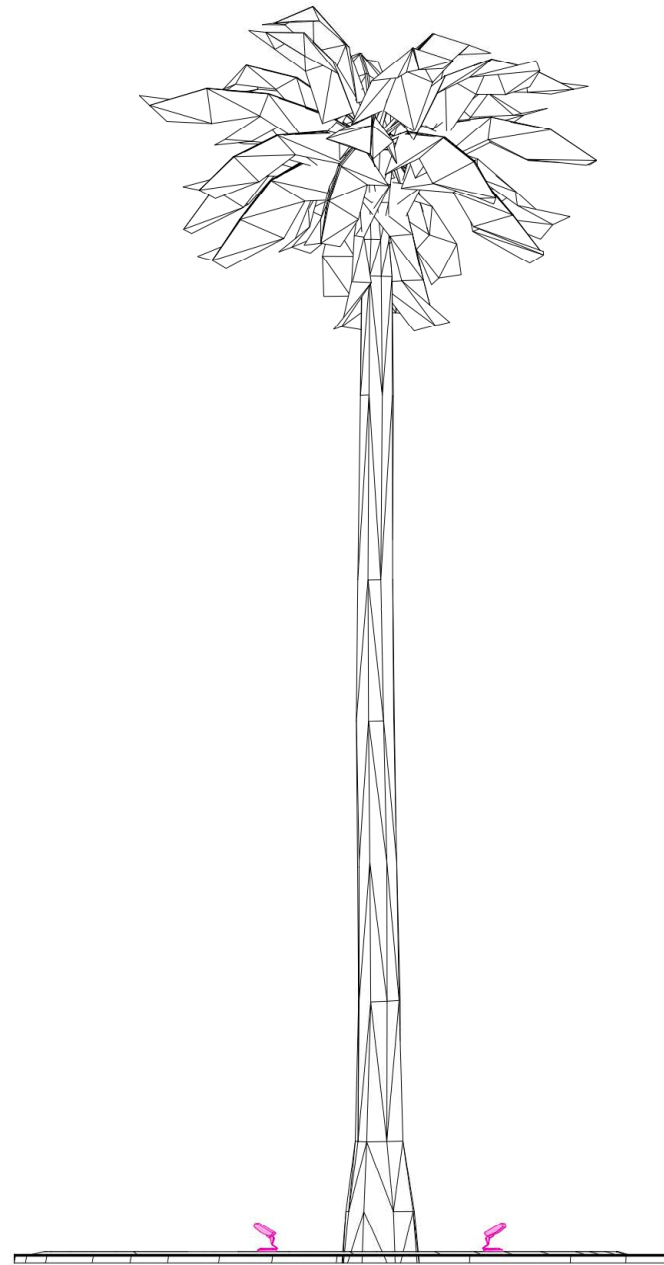
DESIGNED BY
 R. STUMPP
 DRAWN BY
 A. LIGHT

West Retail
 Building 2

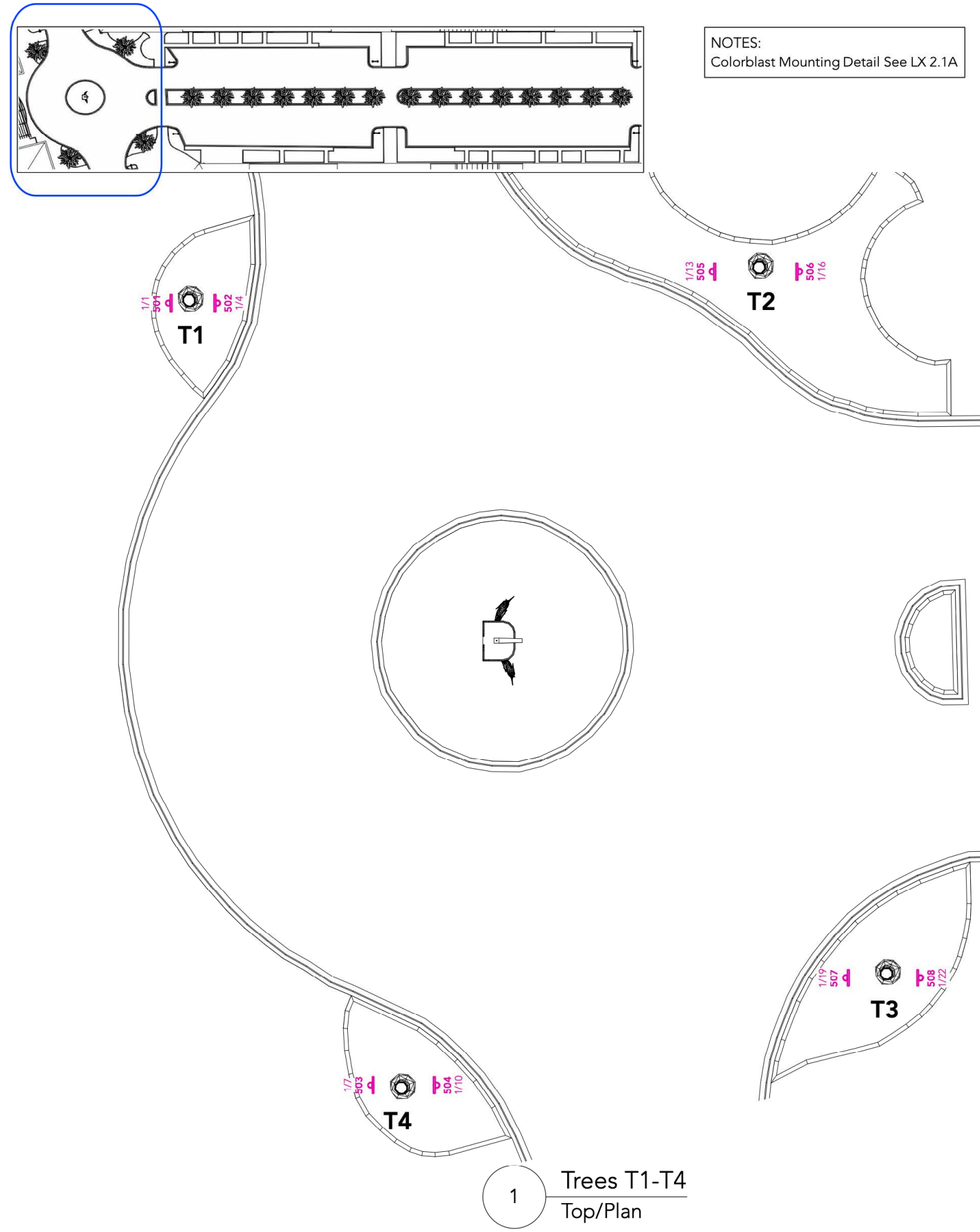


Symbol Key

4	Color Kinetics Colorblast 12 Powercore	8
---	--	---



2 Colorblast 12 Powercore Detail



1 Trees T1-T4 Top/Plan



THE WHARF - SPECTRA REFURBISHMENT

VENUE
ORANGE BEACH,
ALABAMA
LOAD IN
05/08/2020

This drawing and information contained herein is for general presentation and information review purposes only. This drawing is not intended for use on or in lieu of engineering design plans. This drawing and the information contained therein is the confidential, proprietary information of Cue 13 Design, LLC, and may not be used or reproduced without the approval of Cue 13 Design, LLC.

ISSUE
5/22/20

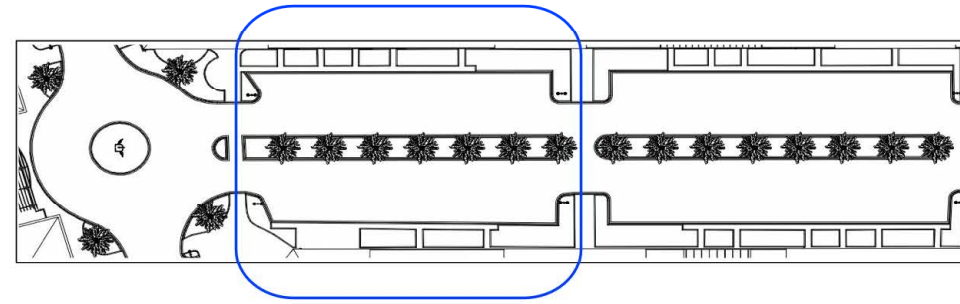
DESIGNED BY
R. STUMPP
DRAWN BY
A. LIGHT

Trees T1-T4

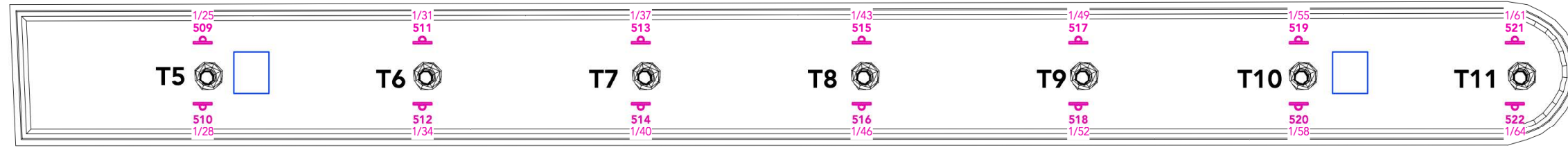
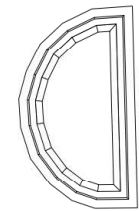


Symbol Key

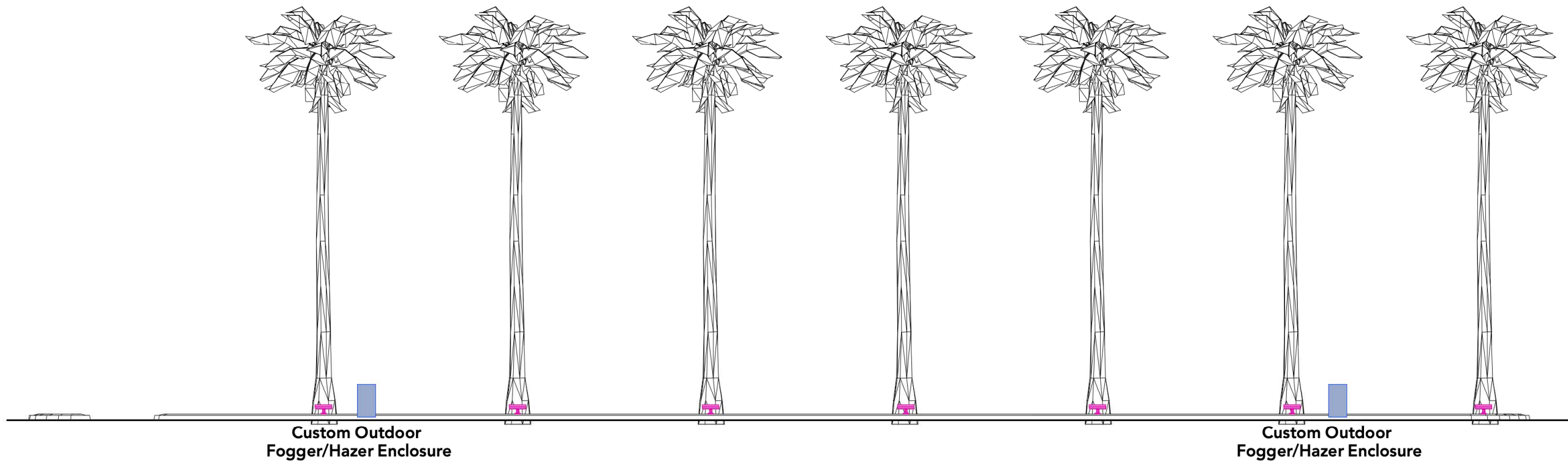
	Color Kinetics Colorblast 12 Powercore	14
	Custom Outdoor Fogger/Hazer Enclosure	2



NOTES:
 Colorblast Mounting Detail See LX 2.1A
 Pixel Mounting Detail See LX 2.2A
 Fogger/Hazer Detail See LX 2.4A-B



1 Island 1
Top/Plan



2 Island 1
Front Elevation



THE WHARF -
SPECTRA
REFURBISHMENT

VENUE
 ORANGE BEACH,
 ALABAMA
 LOAD IN
 05/08/2020

This drawing and information contained herein is for general presentation and information review purposes only. This drawing is not intended for use on or in lieu of engineering design plans. This drawing and the information contained therein is the confidential, proprietary information of Cue 13 Design, LLC, and may not be used or reproduced without the approval of Cue 13 Design, LLC.



ISSUE
 5/22/20

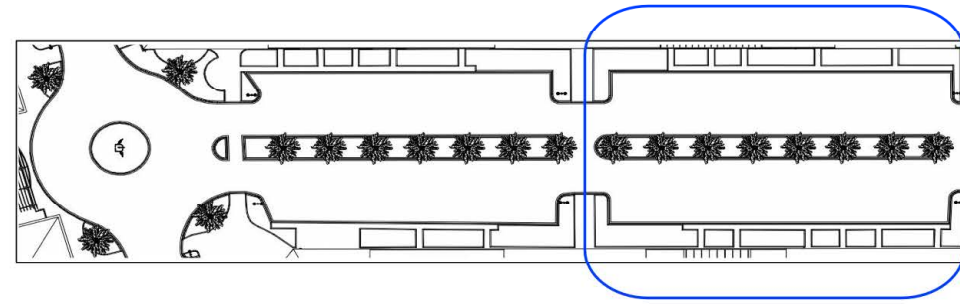
DESIGNED BY
 R. STUMPP
 DRAWN BY
 A. LIGHT

Island 1 - Trees
 T5-T11

LX
 1.1F

Symbol Key

	Color Kinetics Colorblast 12 Powercore	16
	Custom Outdoor Fogger/Hazer Enclosure	2



NOTES:
 Colorblast Mounting Detail See LX 2.1A
 Pixel Mounting Detail See LX 2.2A
 Fogger/Hazer Detail See LX 2.4A-B



**THE WHARF -
SPECTRA
REFURBISHMENT**

VENUE
**ORANGE BEACH,
ALABAMA**
 LOAD IN
05/08/2020

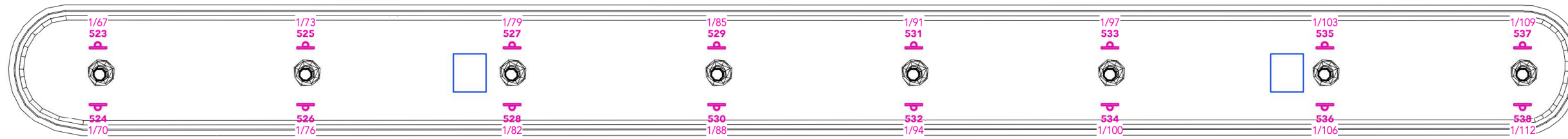
This drawing and information contained herein is for general presentation and information review purposes only. This drawing is not intended for use on or in lieu of engineering design plans. This drawing and the information contained therein is the confidential, proprietary information of Cue 13 Design, LLC, and may not be used or reproduced without the approval of Cue 13 Design, LLC.

ISSUE
5/22/20

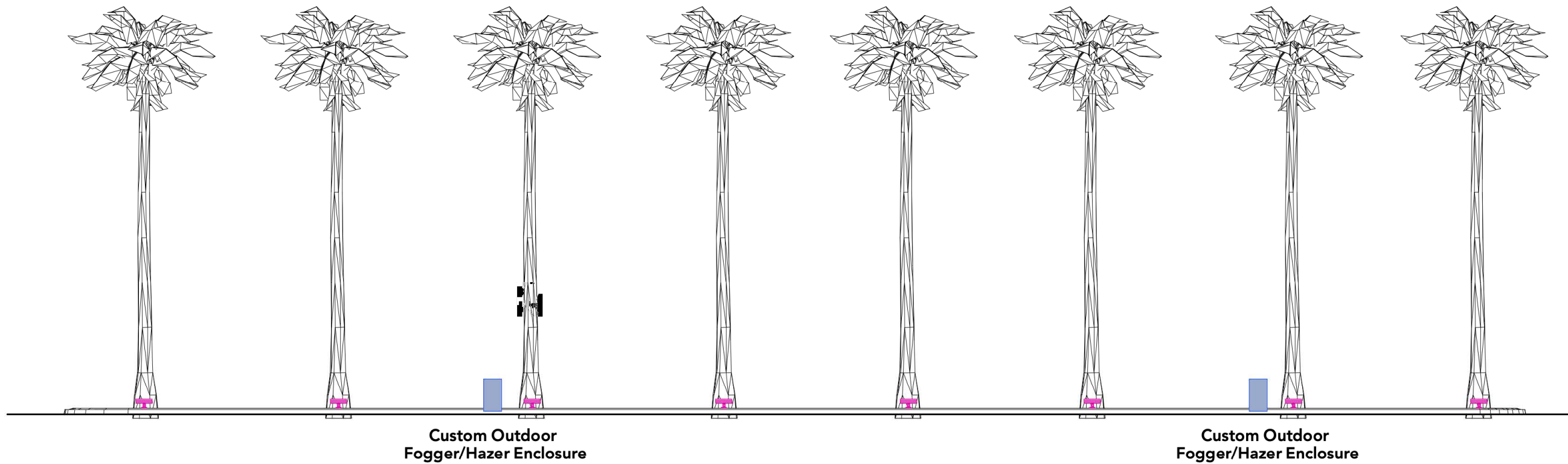
DESIGNED BY
R. STUMPP
 DRAWN BY
A. LIGHT

**Island 2 - Trees
T12-T19**

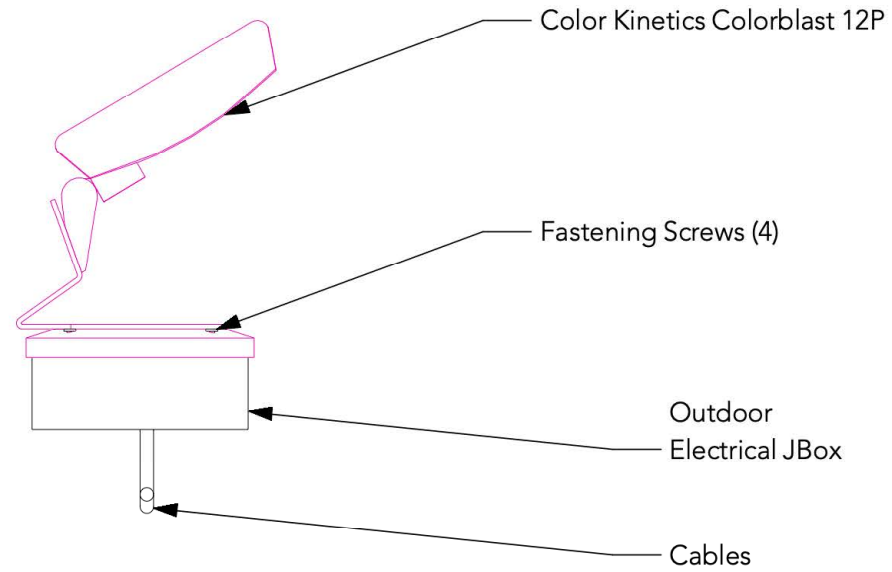
**LX
1.1G**



1 Island 2
Top/Plan

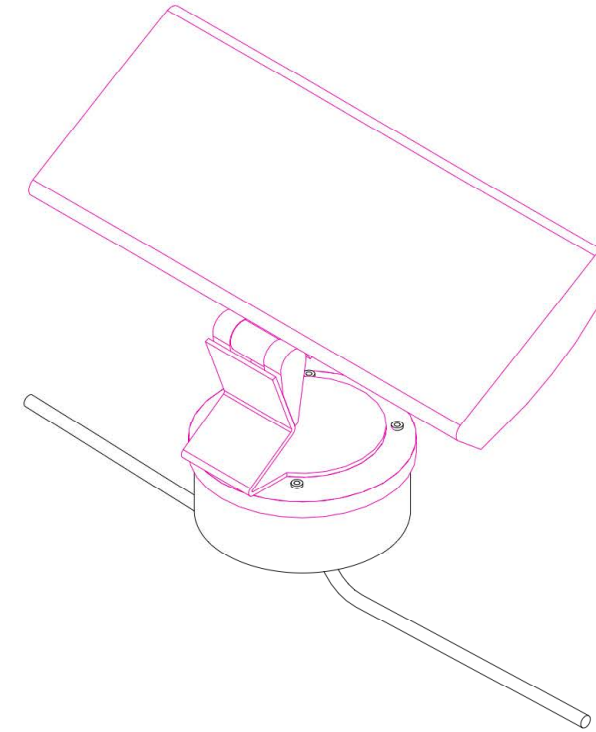


2 Island 2
Front Elevation



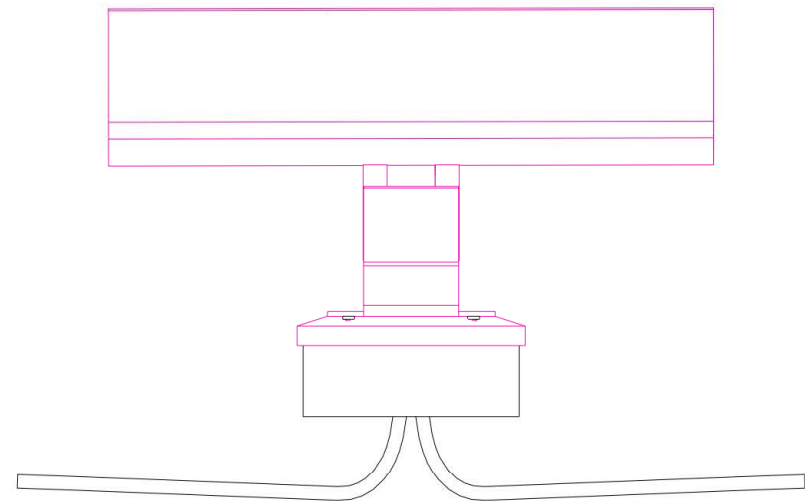
2

Color Kinetics Colorblast 12P Mounting Detail
Side Elevation



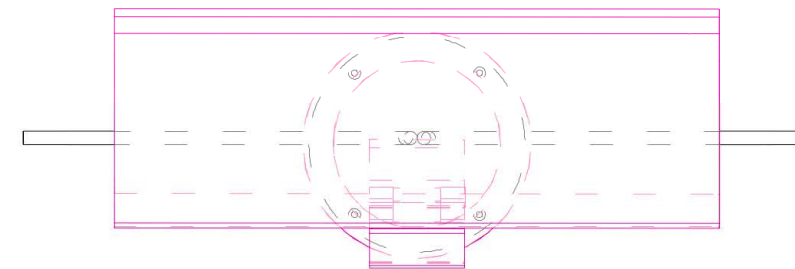
1

Color Kinetics Colorblast 12P Mounting Detail
Isometric



3

Color Kinetics Colorblast 12P Mounting Detail
Front Elevation



4

Color Kinetics Colorblast 12P Mounting Detail
Top View



**THE WHARF -
SPECTRA
REFURBISHMENT**

VENUE
**ORANGE BEACH,
ALABAMA**
LOAD IN
05/08/2020

This drawing and information contained herein is for general presentation and information review purposes only. This drawing is not intended for use on or in lieu of engineering design plans. This drawing and the information contained therein is the confidential, proprietary information of Cue 13 Design, LLC, and may not be used or reproduced without the approval of Cue 13 Design, LLC.

ISSUE
5/22/20

DESIGNED BY
R. STUMPP
DRAWN BY
A. LIGHT

**Color Kinetics
Colorblast 12P
Mounting Detail**

**LX
2.1A**

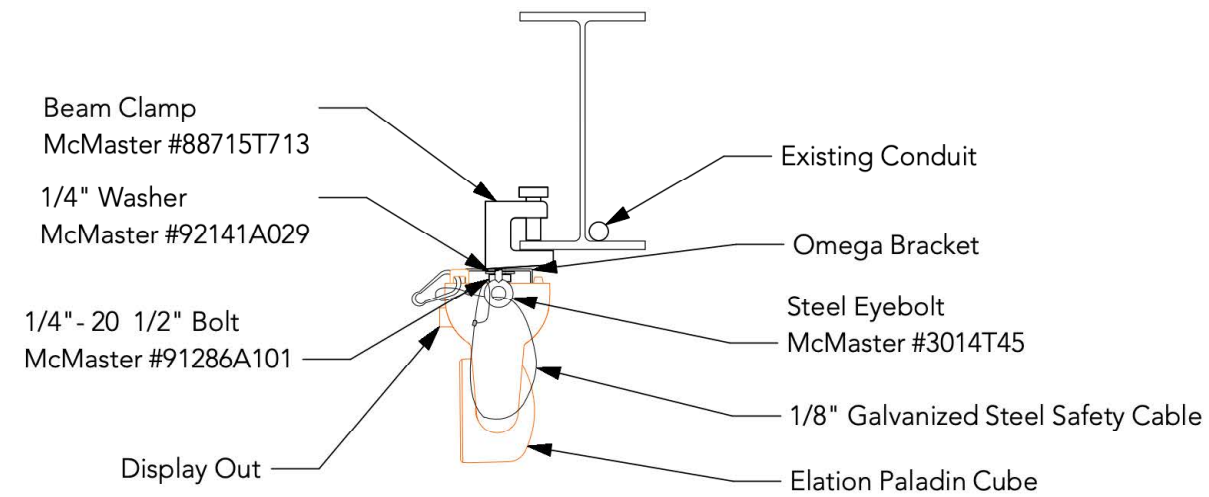
This drawing and information contained herein is for general presentation and information review purposes only. This drawing is not intended for use on or in lieu of engineering design plans. This drawing and the information contained therein is the confidential, proprietary information of Cue 13 Design, LLC, and may not be used or reproduced without the approval of Cue 13 Design, LLC.

ISSUE
5/22/20

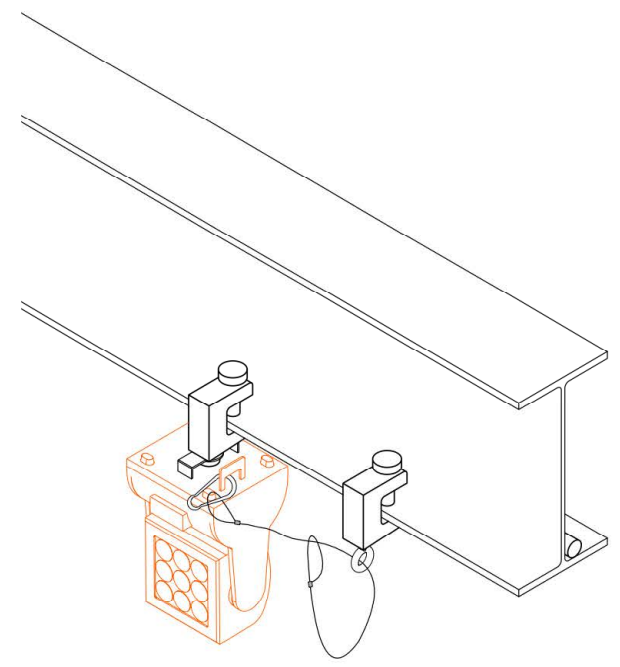
DESIGNED BY
R. STUMPP
DRAWN BY
A. LIGHT

**Elation Paladin
Cube Mounting
Detail**

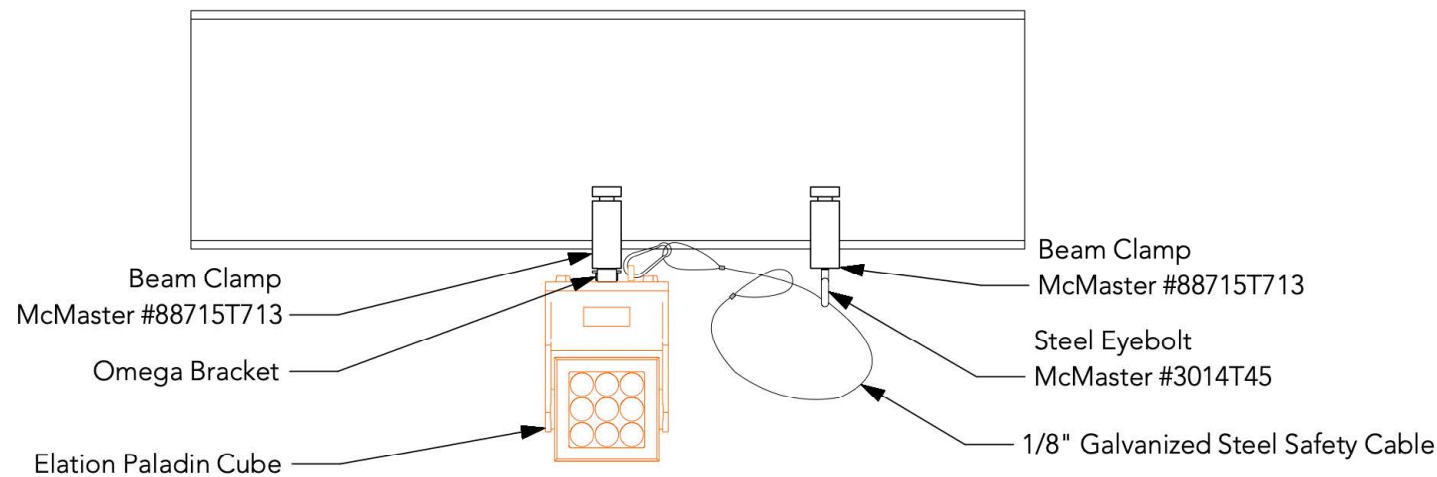
**LX
2.1B**



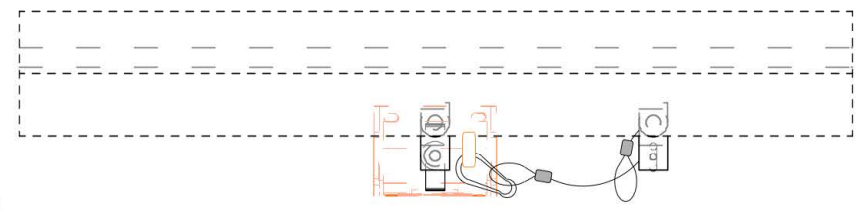
2 Elation Paladin Cube Mounting Detail
Side Elevation



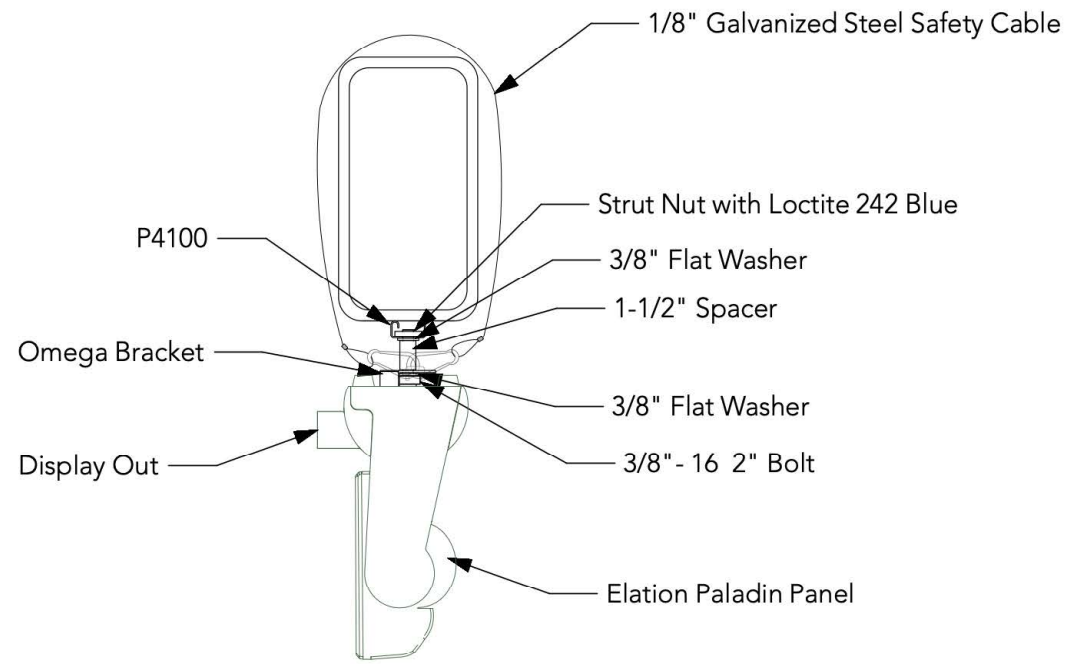
1 Elation Paladin Cube Mounting Detail
Isometric



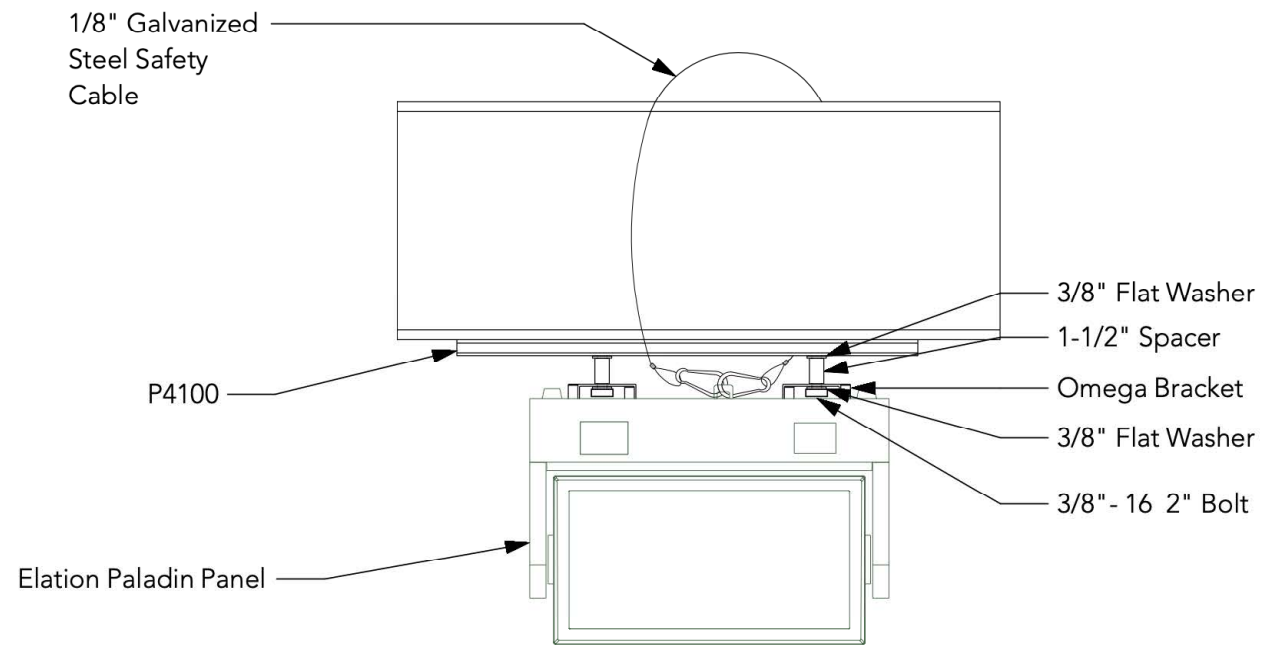
3 Elation Paladin Cube Mounting Detail
Front Elevation



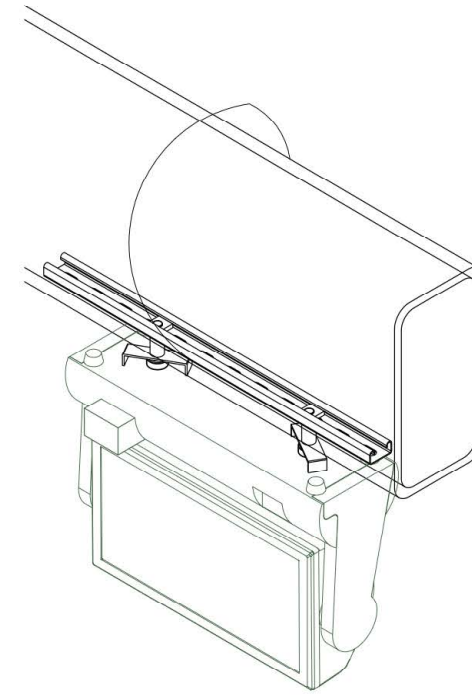
4 Elation Paladin Cube Mounting Detail
Top View



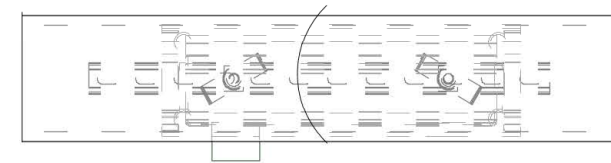
2 Elation Paladin Panel Mounting Detail
Side Elevation



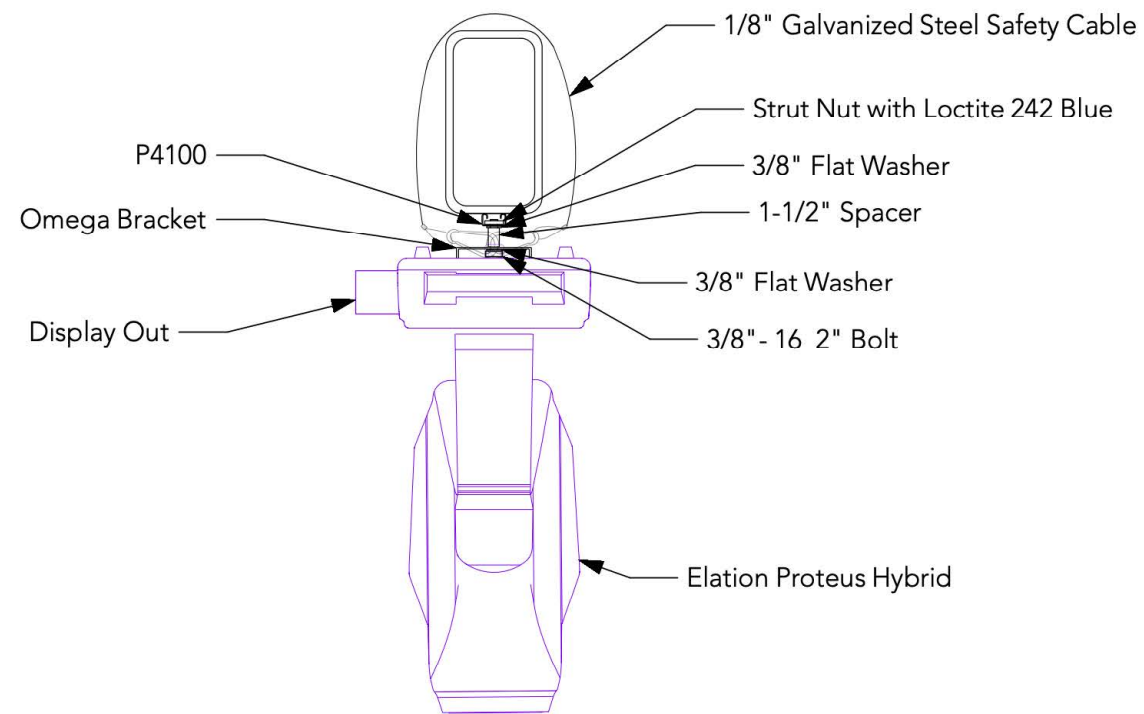
3 Elation Paladin Panel Mounting Detail
Front Elevation



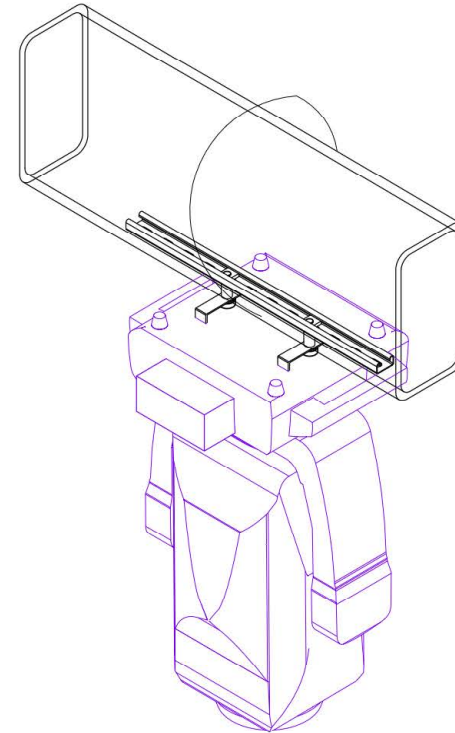
1 Elation Paladin Panel Mounting Detail
Isometric



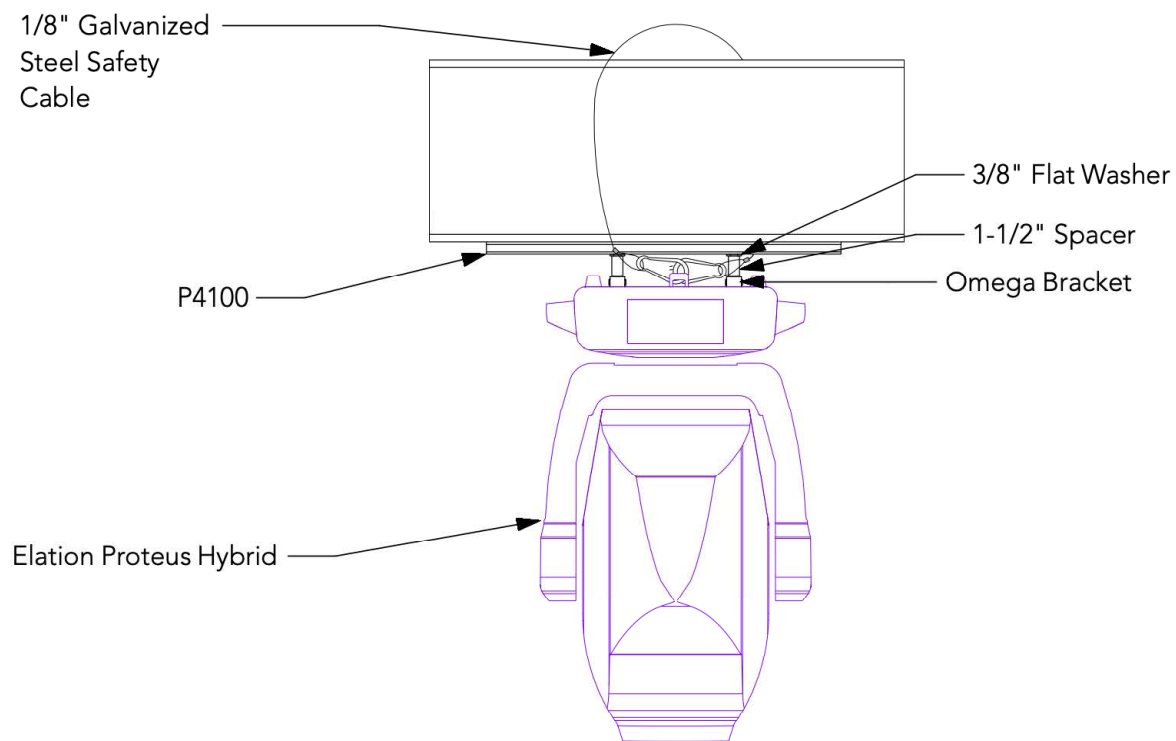
4 Elation Paladin Panel Mounting Detail
Top View



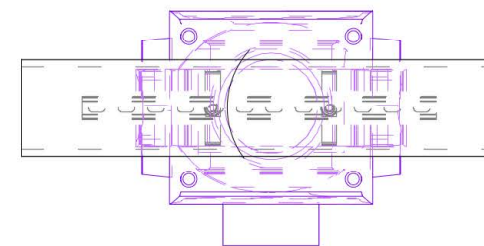
2 Elation Proteus Hybrid Mounting Detail
Side Elevation



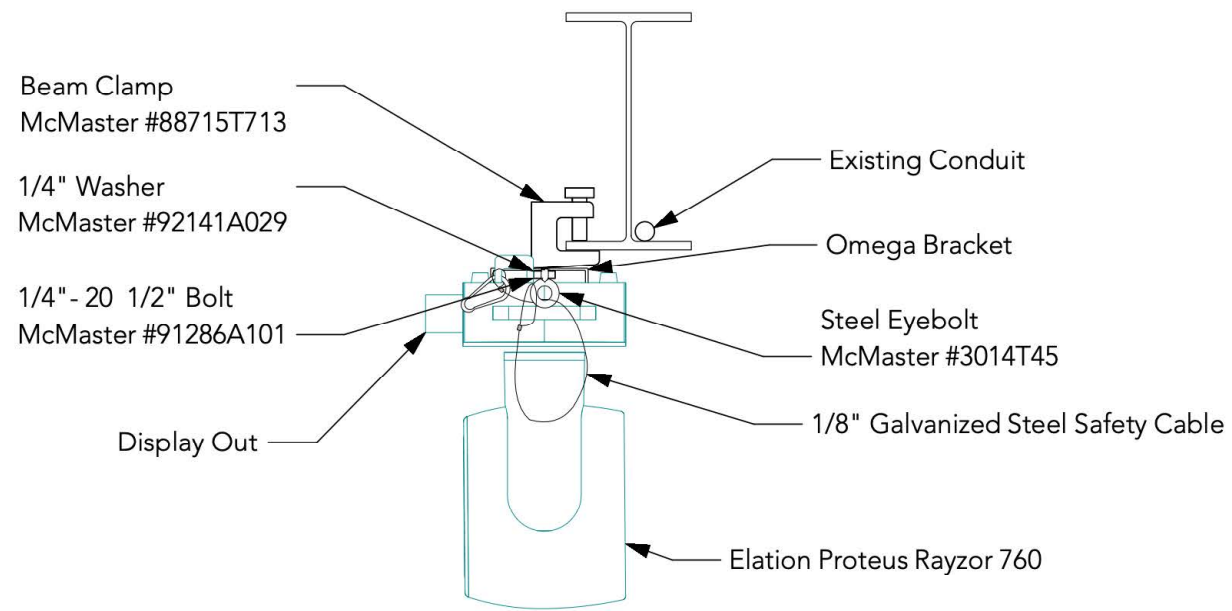
1 Elation Proteus Hybrid Mounting Detail
Isometric



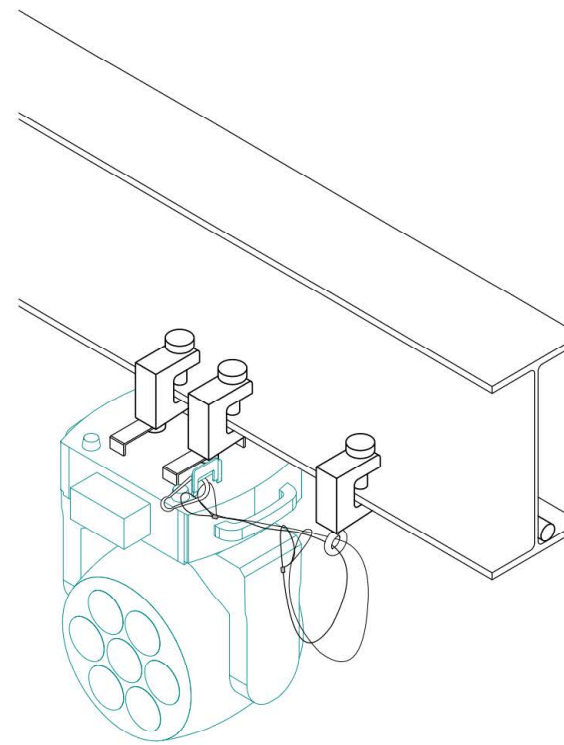
3 Elation Proteus Hybrid Mounting Detail
Front Elevation



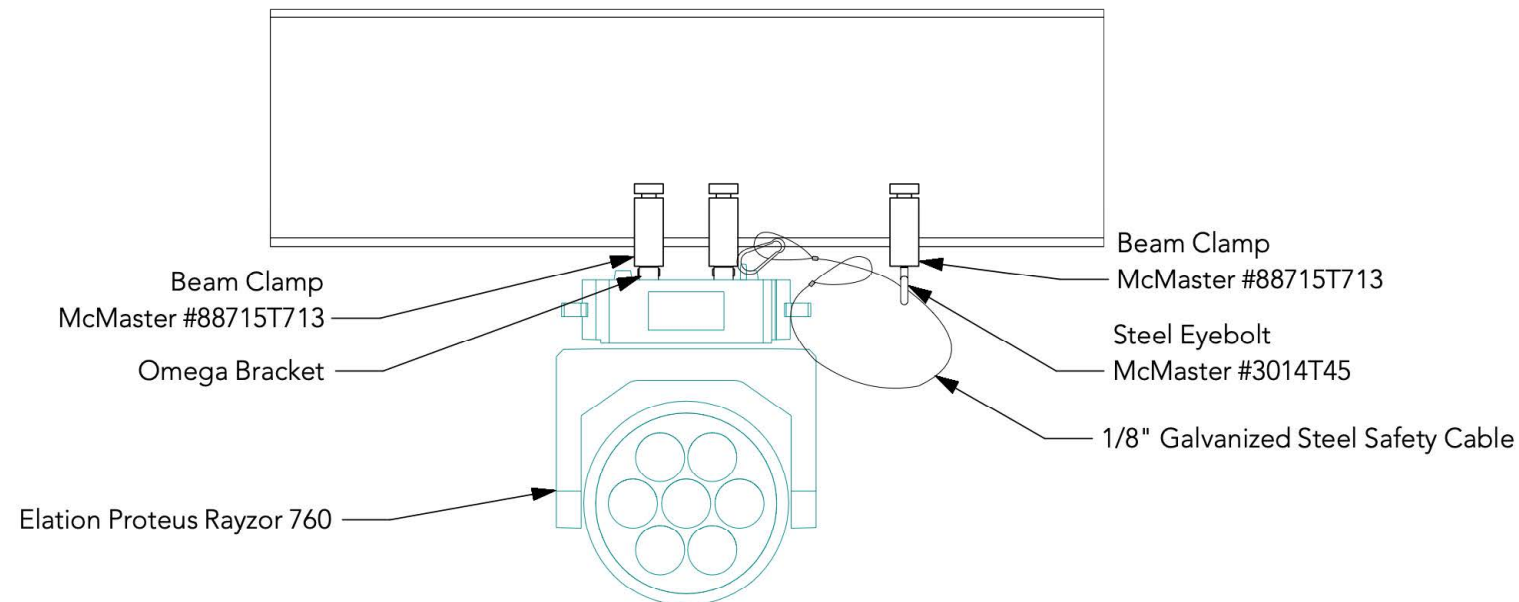
4 Elation Proteus Hybrid Mounting Detail
Top View



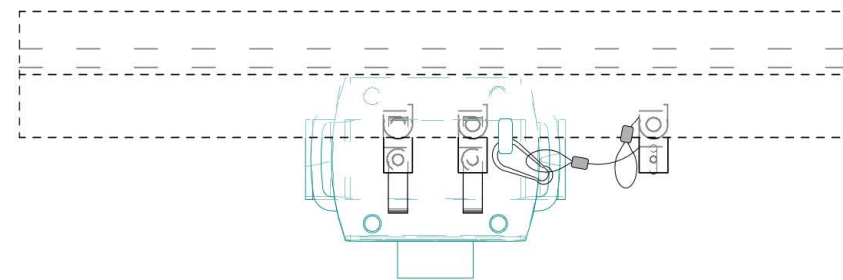
2 Elation Proteus Rayzor 760 Mounting Detail
Side Elevation



1 Elation Proteus Rayzor 760 Mounting Detail
Isometric



3 Elation Proteus Rayzor 760 Mounting Detail
Front Elevation



4 Elation Proteus Rayzor 760 Mounting Detail
Top View

Colorblast 12P - RGB (3Ch)		Spec: LX 6.1A-B	
Instrument Type	Position	Fix ID	Address
Color Kinetics Colorblast 12 Powercore	Tree T1-T4	501	1/1
Color Kinetics Colorblast 12 Powercore	Tree T1-T4	502	1/4
Color Kinetics Colorblast 12 Powercore	Tree T1-T4	503	1/7
Color Kinetics Colorblast 12 Powercore	Tree T1-T4	504	1/10
Color Kinetics Colorblast 12 Powercore	Tree T1-T4	505	1/13
Color Kinetics Colorblast 12 Powercore	Tree T1-T4	506	1/16
Color Kinetics Colorblast 12 Powercore	Tree T1-T4	507	1/19
Color Kinetics Colorblast 12 Powercore	Tree T1-T4	508	1/22
Color Kinetics Colorblast 12 Powercore	Island 1	509	1/25
Color Kinetics Colorblast 12 Powercore	Island 1	510	1/28
Color Kinetics Colorblast 12 Powercore	Island 1	511	1/31
Color Kinetics Colorblast 12 Powercore	Island 1	512	1/34
Color Kinetics Colorblast 12 Powercore	Island 1	513	1/37
Color Kinetics Colorblast 12 Powercore	Island 1	514	1/40
Color Kinetics Colorblast 12 Powercore	Island 1	515	1/43
Color Kinetics Colorblast 12 Powercore	Island 1	516	1/46
Color Kinetics Colorblast 12 Powercore	Island 1	517	1/49
Color Kinetics Colorblast 12 Powercore	Island 1	518	1/52
Color Kinetics Colorblast 12 Powercore	Island 1	519	1/55
Color Kinetics Colorblast 12 Powercore	Island 1	520	1/58
Color Kinetics Colorblast 12 Powercore	Island 1	521	1/61
Color Kinetics Colorblast 12 Powercore	Island 1	522	1/64
Color Kinetics Colorblast 12 Powercore	Island 2	523	1/67
Color Kinetics Colorblast 12 Powercore	Island 2	524	1/70
Color Kinetics Colorblast 12 Powercore	Island 2	525	1/73
Color Kinetics Colorblast 12 Powercore	Island 2	526	1/76
Color Kinetics Colorblast 12 Powercore	Island 2	527	1/79
Color Kinetics Colorblast 12 Powercore	Island 2	528	1/82
Color Kinetics Colorblast 12 Powercore	Island 2	529	1/85
Color Kinetics Colorblast 12 Powercore	Island 2	530	1/88
Color Kinetics Colorblast 12 Powercore	Island 2	531	1/91
Color Kinetics Colorblast 12 Powercore	Island 2	532	1/94
Color Kinetics Colorblast 12 Powercore	Island 2	533	1/97
Color Kinetics Colorblast 12 Powercore	Island 2	534	1/100
Color Kinetics Colorblast 12 Powercore	Island 2	535	1/103
Color Kinetics Colorblast 12 Powercore	Island 2	536	1/106
Color Kinetics Colorblast 12 Powercore	Island 2	537	1/109
Color Kinetics Colorblast 12 Powercore	Island 2	538	1/112
Color Kinetics Colorblast 12 Powercore	Island 3	539	1/115
Color Kinetics Colorblast 12 Powercore	Island 3	540	1/118
Color Kinetics Colorblast 12 Powercore	Island 3	541	1/121
Color Kinetics Colorblast 12 Powercore	Island 3	542	1/124
Color Kinetics Colorblast 12 Powercore	Island 3	543	1/127
Color Kinetics Colorblast 12 Powercore	Island 3	544	1/130
Color Kinetics Colorblast 12 Powercore	Island 3	545	1/133
Color Kinetics Colorblast 12 Powercore	Island 3	546	1/136
Color Kinetics Colorblast 12 Powercore	Island 3	547	1/139
Color Kinetics Colorblast 12 Powercore	Island 3	548	1/142
Color Kinetics Colorblast 12 Powercore	Island 3	549	1/145
Color Kinetics Colorblast 12 Powercore	Island 3	550	1/148
Color Kinetics Colorblast 12 Powercore	Island 3	551	1/151
Color Kinetics Colorblast 12 Powercore	Island 3	552	1/154
Color Kinetics Colorblast 12 Powercore	Island 4	553	1/157

Colorblast 12P - RGB (3Ch)		Spec: LX 6.1A-B	
Instrument Type	Position	Fix ID	Address
Color Kinetics Colorblast 12 Powercore	Island 4	554	1/160
Color Kinetics Colorblast 12 Powercore	Island 4	555	1/163
Color Kinetics Colorblast 12 Powercore	Island 4	556	1/166
Color Kinetics Colorblast 12 Powercore	Island 4	557	1/169
Color Kinetics Colorblast 12 Powercore	Island 4	558	1/172
Color Kinetics Colorblast 12 Powercore	Island 4	559	1/175
Color Kinetics Colorblast 12 Powercore	Island 4	560	1/178
Color Kinetics Colorblast 12 Powercore	Island 4	561	1/181
Color Kinetics Colorblast 12 Powercore	Island 4	562	1/184
Color Kinetics Colorblast 12 Powercore	Island 4	563	1/187
Color Kinetics Colorblast 12 Powercore	Island 4	564	1/190
Color Kinetics Colorblast 12 Powercore	Island 4	565	1/193
Color Kinetics Colorblast 12 Powercore	Island 4	566	1/196
Color Kinetics Colorblast 12 Powercore	Island 4	567	1/199
Color Kinetics Colorblast 12 Powercore	Island 4	568	1/202
Color Kinetics Colorblast 12 Powercore	Island 4	569	1/205
Color Kinetics Colorblast 12 Powercore	Island 4	570	1/208
Color Kinetics Colorblast 12 Powercore	Island 4	571	1/211
Color Kinetics Colorblast 12 Powercore	Island 4	572	1/214

Elation Paladin Cube - Ext. Mode (16Ch)		Spec: LX 6.1C	
Instrument Type	Position	Fix ID	Address
Elation Paladin Cube	East Retail Building 1	301	3/1
Elation Paladin Cube	East Retail Building 1	302	3/17
Elation Paladin Cube	East Retail Building 1	303	3/33
Elation Paladin Cube	East Retail Building 1	304	3/49
Elation Paladin Cube	East Retail Building 1	305	3/65
Elation Paladin Cube	East Retail Building 1	306	3/81
Elation Paladin Cube	East Retail Building 1	307	3/97
Elation Paladin Cube	East Retail Building 1	308	3/113
Elation Paladin Cube	East Retail Building 1	309	3/129
Elation Paladin Cube	East Retail Building 1	310	3/145
Elation Paladin Cube	East Retail Building 2	311	3/161
Elation Paladin Cube	East Retail Building 2	312	3/177
Elation Paladin Cube	East Retail Building 2	313	3/193
Elation Paladin Cube	East Retail Building 2	314	3/209
Elation Paladin Cube	East Retail Building 2	315	3/225
Elation Paladin Cube	East Retail Building 2	316	3/241
Elation Paladin Cube	East Retail Building 2	317	3/257
Elation Paladin Cube	East Retail Building 2	318	3/273
Elation Paladin Cube	East Retail Building 2	319	3/289
Elation Paladin Cube	East Retail Building 2	320	3/305
Elation Paladin Cube	East Retail Building 2	321	4/1
Elation Paladin Cube	East Retail Building 2	322	4/17
Elation Paladin Cube	East Retail Building 2	323	4/33
Elation Paladin Cube	East Retail Building 2	324	4/49
Elation Paladin Cube	East Retail Building 2	325	4/65
Elation Paladin Cube	East Retail Building 2	326	4/81
Elation Paladin Cube	East Retail Building 2	327	4/97

Elation Paladin Cube - Ext. Mode (16Ch)		Spec: LX 6.1C	
Instrument Type	Position	Fix ID	Address
Elation Paladin Cube	East Retail Building 2	328	4/113
Elation Paladin Cube	East Retail Building 2	329	4/129
Elation Paladin Cube	East Retail Building 2	330	4/145
Elation Paladin Cube	East Retail Building 2	331	4/161
Elation Paladin Cube	East Retail Building 2	332	4/177
Elation Paladin Cube	East Retail Building 2	333	4/193
Elation Paladin Cube	East Retail Building 2	334	4/209
Elation Paladin Cube	East Retail Building 2	335	4/225
Elation Paladin Cube	East Retail Building 2	336	4/241
Elation Paladin Cube	East Retail Building 2	337	4/257
Elation Paladin Cube	East Retail Building 2	338	4/273
Elation Paladin Cube	East Retail Building 2	339	4/289
Elation Paladin Cube	East Retail Building 2	340	4/305
Elation Paladin Cube	West Retail Building 1	341	6/1
Elation Paladin Cube	West Retail Building 1	342	6/17
Elation Paladin Cube	West Retail Building 1	343	6/33
Elation Paladin Cube	West Retail Building 1	344	6/49
Elation Paladin Cube	West Retail Building 1	345	6/65
Elation Paladin Cube	West Retail Building 1	346	6/81
Elation Paladin Cube	West Retail Building 1	347	6/97
Elation Paladin Cube	West Retail Building 1	348	6/113
Elation Paladin Cube	West Retail Building 1	349	6/129
Elation Paladin Cube	West Retail Building 1	350	6/145
Elation Paladin Cube	West Retail Building 1	351	6/161
Elation Paladin Cube	West Retail Building 1	352	6/177
Elation Paladin Cube	West Retail Building 1	353	6/193
Elation Paladin Cube	West Retail Building 1	354	6/209
Elation Paladin Cube	West Retail Building 2	355	6/225
Elation Paladin Cube	West Retail Building 2	356	6/241
Elation Paladin Cube	West Retail Building 2	357	6/257
Elation Paladin Cube	West Retail Building 2	358	6/273
Elation Paladin Cube	West Retail Building 2	359	6/289
Elation Paladin Cube	West Retail Building 2	360	6/305
Elation Paladin Cube	West Retail Building 2	361	7/1
Elation Paladin Cube	West Retail Building 2	362	7/17
Elation Paladin Cube	West Retail Building 2	363	7/33
Elation Paladin Cube	West Retail Building 2	364	7/49
Elation Paladin Cube	West Retail Building 2	365	7/65
Elation Paladin Cube	West Retail Building 2	366	7/81
Elation Paladin Cube	West Retail Building 2	367	7/97
Elation Paladin Cube	West Retail Building 2	368	7/113
Elation Paladin Cube	West Retail Building 2	369	7/129
Elation Paladin Cube	West Retail Building 2	370	7/145
Elation Paladin Cube	West Retail Building 2	371	7/161
Elation Paladin Cube	West Retail Building 2	372	7/177
Elation Paladin Cube	West Retail Building 2	373	7/193
Elation Paladin Cube	West Retail Building 2	374	7/209
Elation Paladin Cube	West Retail Building 2	375	7/225
Elation Paladin Cube	West Retail Building 2	376	7/241
Elation Paladin Cube	West Retail Building 2	377	7/257
Elation Paladin Cube	West Retail Building 2	378	7/273
Elation Paladin Cube	West Retail Building 2	379	7/289
Elation Paladin Cube	West Retail Building 2	380	7/305



**THE WHARF -
SPECTRA
REFURBISHMENT**

VENUE
ORANGE BEACH,
ALABAMA
LOAD IN
05/08/2020

This drawing and information contained herein is for general presentation and information review purposes only. This drawing is not intended for use on or in lieu of engineering design plans. This drawing and the information contained therein is the confidential, proprietary information of Cue 13 Design, LLC, and may not be used or reproduced without the approval of Cue 13 Design, LLC.

ISSUE
5/22/20
DESIGNED BY
R. STUMPP
DRAWN BY
A. LIGHT

**Lighting
Instrument
Schedule**
**LX
3.1A**

Elation Proteus Hybrid - Ext. Mode (37Ch)			
Spec: LX 6.1E			
Instrument Type	Position	Fix ID	Address
Elation Proteus Hybrid	East Retail Building 1 Balcony	101	8/1
Elation Proteus Hybrid	East Retail Building 1 Balcony	102	8/38
Elation Proteus Hybrid	East Retail Building 2 Balcony	103	8/75
Elation Proteus Hybrid	East Retail Building 2 Balcony	104	8/112
Elation Proteus Hybrid	East Retail Building 2 Balcony	105	8/149
Elation Proteus Hybrid	East Retail Building 2 Balcony	106	8/186
Elation Proteus Hybrid	West Retail Building 1 Balcony	107	9/1
Elation Proteus Hybrid	West Retail Building 1 Balcony	108	9/38
Elation Proteus Hybrid	West Retail Building 2 Balcony	109	9/75
Elation Proteus Hybrid	West Retail Building 2 Balcony	110	9/112
Elation Proteus Hybrid	West Retail Building 2 Balcony	111	9/149
Elation Proteus Hybrid	West Retail Building 2 Balcony	112	9/186

Elation Paladin Panel - Ext. Mode (16Ch)			
Spec: DL 6.1D			
Instrument Type	Position	Fix ID	Address
Elation Paladin Panel	East Retail Building 1 Balcony	401	8/223
Elation Paladin Panel	East Retail Building 2 Balcony	402	8/239
Elation Paladin Panel	East Retail Building 2 Balcony	403	8/255
Elation Paladin Panel	West Retail Building 1 Balcony	404	9/223
Elation Paladin Panel	West Retail Building 2 Balcony	405	9/239
Elation Paladin Panel	West Retail Building 2 Balcony	406	9/255

Elation Proteus Rayzor 760 - Standard (25Ch)					
Spec: LX 6.1F					
Instrument Type	Position	Fix ID	Address		
Elation Proteus Rayzor 760	East Retail Building 1	201	2/1		
Elation Proteus Rayzor 760	East Retail Building 1	202	2/26		
Elation Proteus Rayzor 760	East Retail Building 1	203	2/51		
Elation Proteus Rayzor 760	East Retail Building 1	204	2/76		
Elation Proteus Rayzor 760	East Retail Building 1	205	2/101		
Elation Proteus Rayzor 760	East Retail Building 2	206	2/126		
Elation Proteus Rayzor 760	East Retail Building 2	207	2/151		
Elation Proteus Rayzor 760	East Retail Building 2	208	2/176		
Elation Proteus Rayzor 760	East Retail Building 2	209	2/201		
Elation Proteus Rayzor 760	East Retail Building 2	210	2/226		
Elation Proteus Rayzor 760	East Retail Building 2	211	2/251		
Elation Proteus Rayzor 760	East Retail Building 2	212	2/276		
Elation Proteus Rayzor 760	East Retail Building 2	213	2/301		
Elation Proteus Rayzor 760	East Retail Building 2	214	2/326		
Elation Proteus Rayzor 760	East Retail Building 2	215	2/351		
Elation Proteus Rayzor 760	East Retail Building 2	216	2/376		
Elation Proteus Rayzor 760	East Retail Building 2	217	2/401		
Elation Proteus Rayzor 760	East Retail Building 2	218	2/426		
Elation Proteus Rayzor 760	East Retail Building 2	219	2/451		
Elation Proteus Rayzor 760	West Retail Building 1	220	5/1		
Elation Proteus Rayzor 760	West Retail Building 1	221	5/26		
Elation Proteus Rayzor 760	West Retail Building 1	222	5/51		
Elation Proteus Rayzor 760	West Retail Building 1	223	5/76		
Elation Proteus Rayzor 760	West Retail Building 1	224	5/101		
Elation Proteus Rayzor 760	West Retail Building 1	225	5/126		
Elation Proteus Rayzor 760	West Retail Building 1	226	5/151		
Elation Proteus Rayzor 760	West Retail Building 2	227	5/176		
Elation Proteus Rayzor 760	West Retail Building 2	228	5/201		
Elation Proteus Rayzor 760	West Retail Building 2	229	5/226		
Elation Proteus Rayzor 760	West Retail Building 2	230	5/251		
Elation Proteus Rayzor 760	West Retail Building 2	231	5/276		
Elation Proteus Rayzor 760	West Retail Building 2	232	5/301		
Elation Proteus Rayzor 760	West Retail Building 2	233	5/326		
Elation Proteus Rayzor 760	West Retail Building 2	234	5/351		
Elation Proteus Rayzor 760	West Retail Building 2	235	5/376		
Elation Proteus Rayzor 760	West Retail Building 2	236	5/401		
Elation Proteus Rayzor 760	West Retail Building 2	237	5/426		
Elation Proteus Rayzor 760	West Retail Building 2	238	5/451		

Antari AF-5 Effects Fan			
Spec: LX 6.4A			
Instrument Type	Position	Fix ID	Address
Antari AF-5 Effects Fan	Island 1	21	1/421
Antari AF-5 Effects Fan	Island 1	22	1/422
Antari AF-5 Effects Fan	Island 2	23	1/423
Antari AF-5 Effects Fan	Island 2	24	1/424

Look Solutions Unique 2.1 Hazer			
Spec: LX 6.4B			
Instrument Type	Position	Fix ID	Address
Look Solutions Unique 2.1 Hazer	Island 1	11	1/411
Look Solutions Unique 2.1 Hazer	Island 1	12	1/413
Look Solutions Unique 2.1 Hazer	Island 2	13	1/415
Look Solutions Unique 2.1 Hazer	Island 2	14	1/417

Look Solutions Viper 2.6 Fogger			
Spec: LX 6.4C			
Instrument Type	Position	Fix ID	Address
Look Solutions Viper 2.6 Fogger	Island 1	1	1/401
Look Solutions Viper 2.6 Fogger	Island 1	2	1/402
Look Solutions Viper 2.6 Fogger	Island 2	3	1/403
Look Solutions Viper 2.6 Fogger	Island 2	4	1/404

Medialon Architectural Lights Trigger			
Instrument Type	Fix ID	Address	
Medialon Architectural Lights Trigger	3001	31/1	

Pengolin FB4 Control			
Instrument Type	Fix ID	Address	
Pengolin FB4 Control	901	32/1	
Pengolin FB4 Control	902	32/17	
Pengolin FB4 Control	903	32/33	
Pengolin FB4 Control	904	32/49	

Random Sparkle Strobe Non-Dim			
Instrument Type	Position	Chan	Address
Random Sparkle Strobe Non-Dim	East Retail Building 1	1	2/501
Random Sparkle Strobe Non-Dim	East Retail Building 2	2	2/502
Random Sparkle Strobe Non-Dim	West Retail Building 1	3	5/501
Random Sparkle Strobe Non-Dim	West Retail Building 2	4	5/502



**THE WHARF -
SPECTRA
REFURBISHMENT**

VENUE
ORANGE BEACH,
ALABAMA
LOAD IN
05/08/2020

This drawing and information contained herein is for general presentation and information review purposes only. This drawing is not intended for use or in lieu of engineering design plans. This drawing and the information contained therein is the confidential, proprietary information of Cue 13 Design, LLC, and may not be used or reproduced without the approval of Cue 13 Design, LLC.

ISSUE
5/22/20

DESIGNED BY
R. STUMPP

DRAWN BY
A. LIGHT





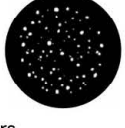

















**Lighting
Instrument
Schedule**

**LX
3.1B**

Color Schedule - Proteus Hybrid

Color	Flag/Wheel	Color	Wheel
	Color Flag		Color Wheel - 8
	Color Flag		Color Wheel - 9
	Color Flag		Color Wheel - 10
	Color Flag		Color Wheel - 11
	Color Wheel - 1		Color Wheel - 12
	Color Wheel - 2		Color Wheel - 13
	Color Wheel - 3		Color Wheel - 14
	Color Wheel - 4		
	Color Wheel - 5		
	Color Wheel - 6		
	Color Wheel - 7		

Gobo Schedule - Proteus Hybrid

Gobo	Slot	Gobo Wheel	Gobo	Slot	Gobo Wheel
	1	Interchangeable Rotating Gobo Wheel 1		4	Static Gobo Wheel 2
	2	Interchangeable Rotating Gobo Wheel 1		5	Static Gobo Wheel 2
	3	Interchangeable Rotating Gobo Wheel 1		6	Static Gobo Wheel 2
	4	Interchangeable Rotating Gobo Wheel 1		7	Static Gobo Wheel 2
	5	Interchangeable Rotating Gobo Wheel 1		8	Static Gobo Wheel 2
	6	Interchangeable Rotating Gobo Wheel 1		9	Static Gobo Wheel 2
	7	Interchangeable Rotating Gobo Wheel 1		10	Static Gobo Wheel 2
	8	Interchangeable Rotating Gobo Wheel 1		11	Static Gobo Wheel 2
	1	Static Gobo Wheel 2		12	Static Gobo Wheel 2
	2	Static Gobo Wheel 2		13	Static Gobo Wheel 2
	3	Static Gobo Wheel 2		14	Static Gobo Wheel 2



THE WHARF - SPECTRA REFURBISHMENT

VENUE
ORANGE BEACH,
ALABAMA
LOAD IN
05/08/2020

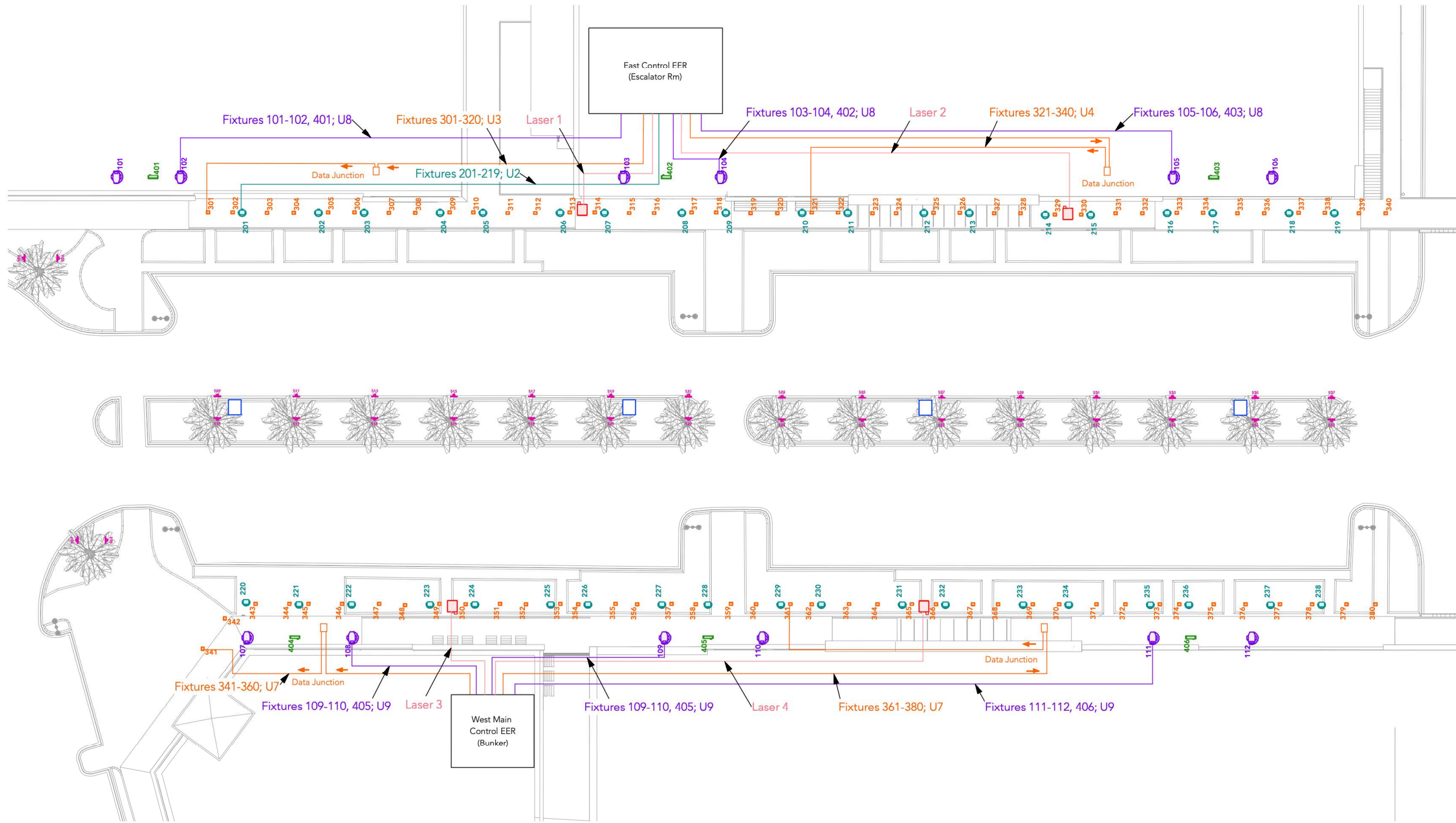
This drawing and information contained herein is for general presentation and information review purposes only. This drawing is not intended for use on or in lieu of engineering design plans. This drawing and the information contained therein is the confidential, proprietary information of Cue 13 Design, LLC, and may not be used or reproduced without the approval of Cue 13 Design, LLC.

ISSUE
5/22/20

DESIGNED BY
R. STUMPP
DRAWN BY
A. LIGHT

Color and Gobo Schedule

LX
3.1E



**THE WHARF -
SPECTRA
REFURBISHMENT**

VENUE
ORANGE BEACH,
ALABAMA
LOAD IN
05/08/2020

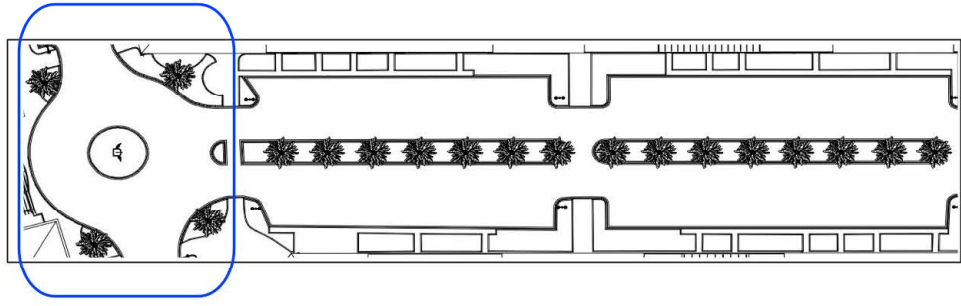
This drawing and information contained herein is for general presentation and information review purposes only. This drawing is not intended for use on or in lieu of engineering design plans. This drawing and the information contained herein is the confidential, proprietary information of Cue 13 Design, LLC, and may not be used or reproduced without the approval of Cue 13 Design, LLC.

ISSUE
5/22/20


DESIGNED BY
R. STUMPP
DRAWN BY
A. LIGHT

EER Data Riser

**LX
4.1B**



Symbol Key

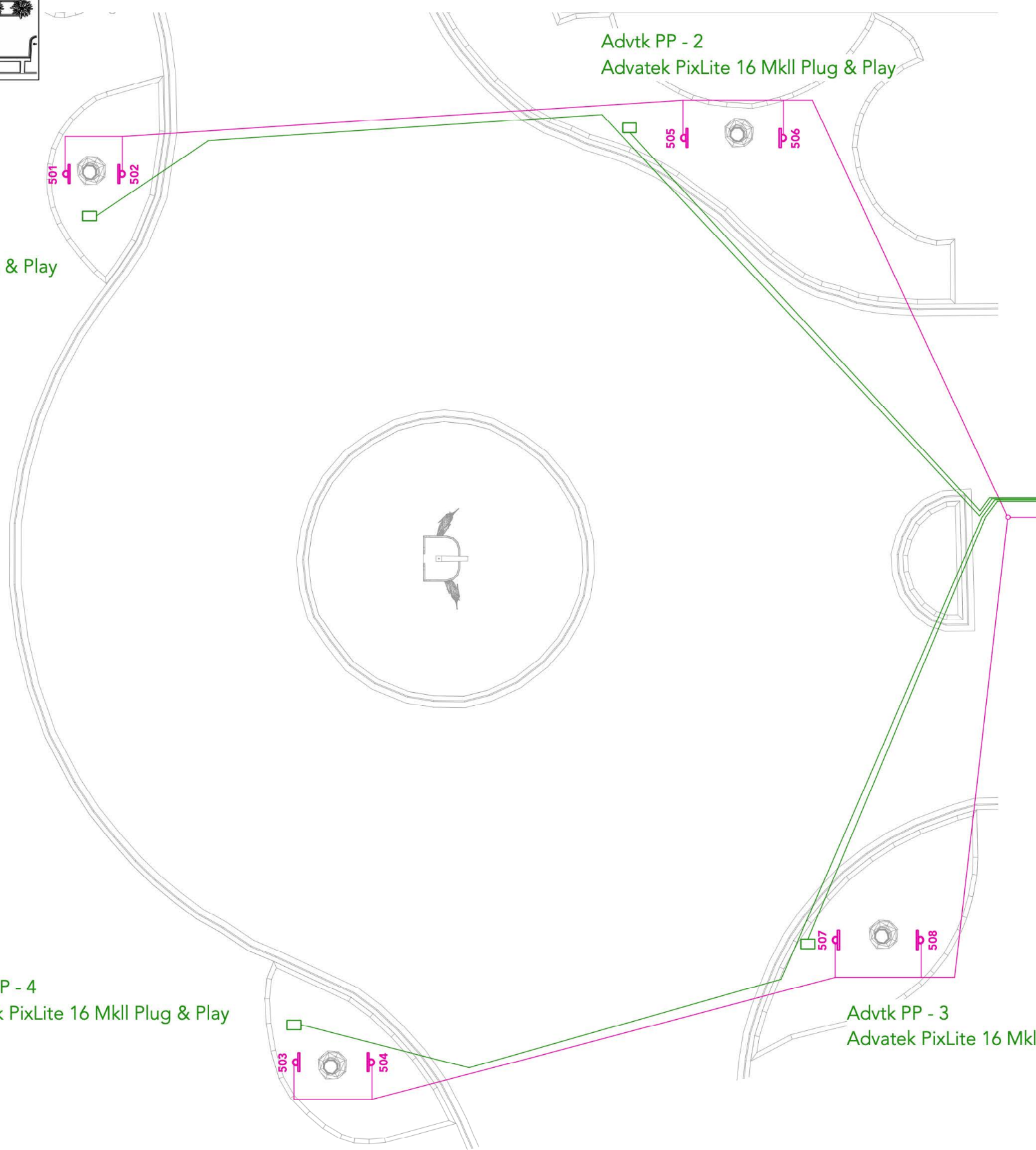
 Color Kinetics Colorblast 12 Powercore

Advtk PP - 1
Advatek PixLite 16 Mkll Plug & Play

Advtk PP - 2
Advatek PixLite 16 Mkll Plug & Play

Advtk PP - 4
Advatek PixLite 16 Mkll Plug & Play

Advtk PP - 3
Advatek PixLite 16 Mkll Plug & Play



**THE WHARF -
SPECTRA
REFURBISHMENT**

VENUE
ORANGE BEACH,
ALABAMA
LOAD IN
05/08/2020

This drawing and information contained herein is for general presentation and information review purposes only. This drawing is not intended for use on or in lieu of engineering design plans. This drawing and the information contained therein is the confidential, proprietary information of Cue 13 Design, LLC, and may not be used or reproduced without the approval of Cue 13 Design, LLC.

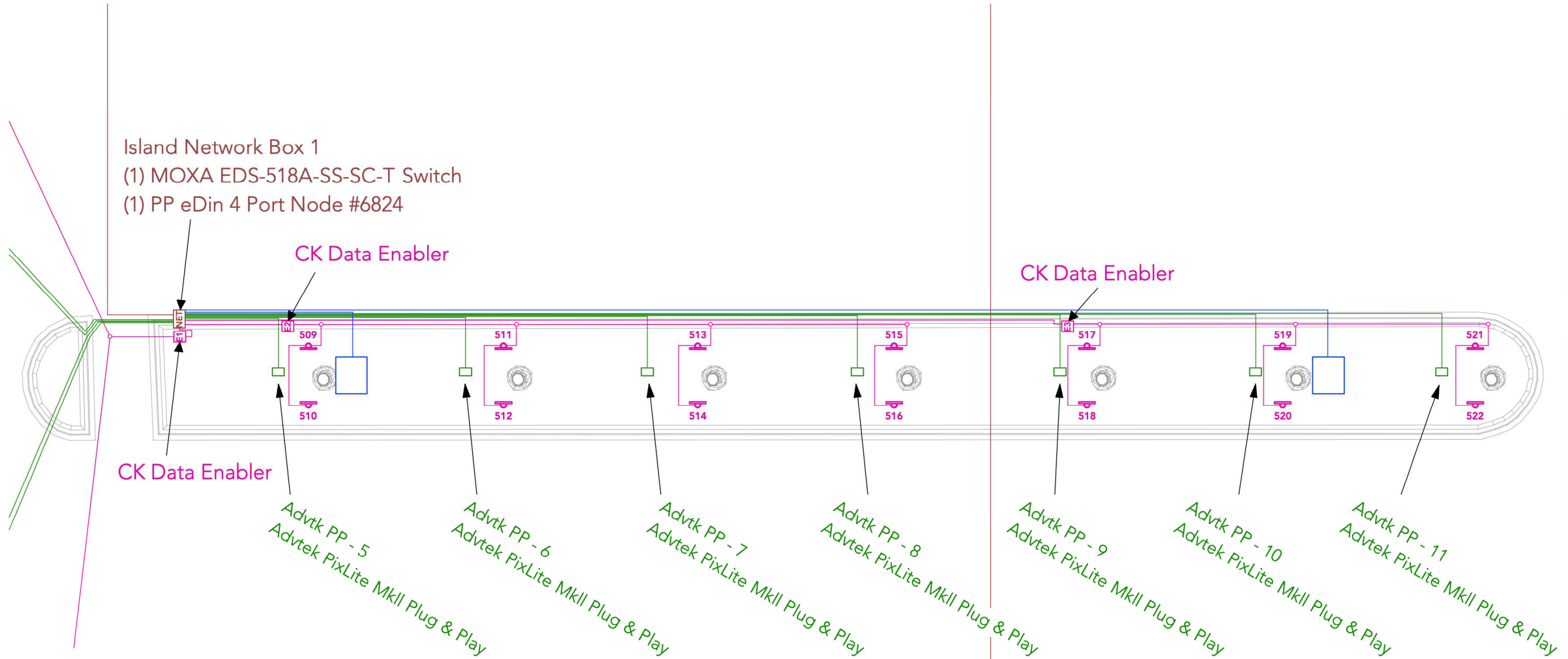
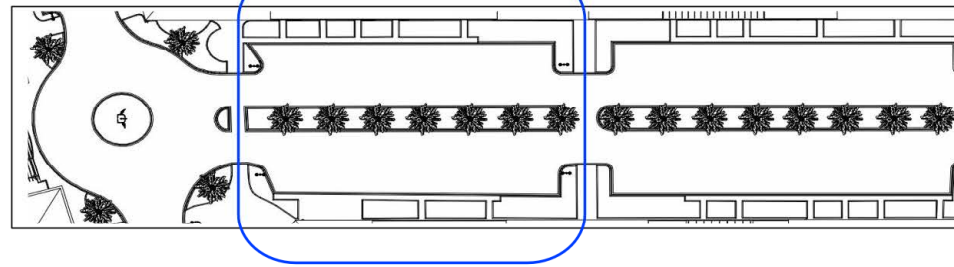
ISSUE
5/22/20

DESIGNED BY
R. STUMPP
DRAWN BY
A. LIGHT

Trees T1-T4 Riser

Symbol Key

-  Color Kinetics Colorblast 12 Powercore
-  Custom Outdoor Fogger/Hazer Enclosure



**THE WHARF -
SPECTRA
REFURBISHMENT**

VENUE
ORANGE BEACH,
ALABAMA
LOAD IN
05/08/2020

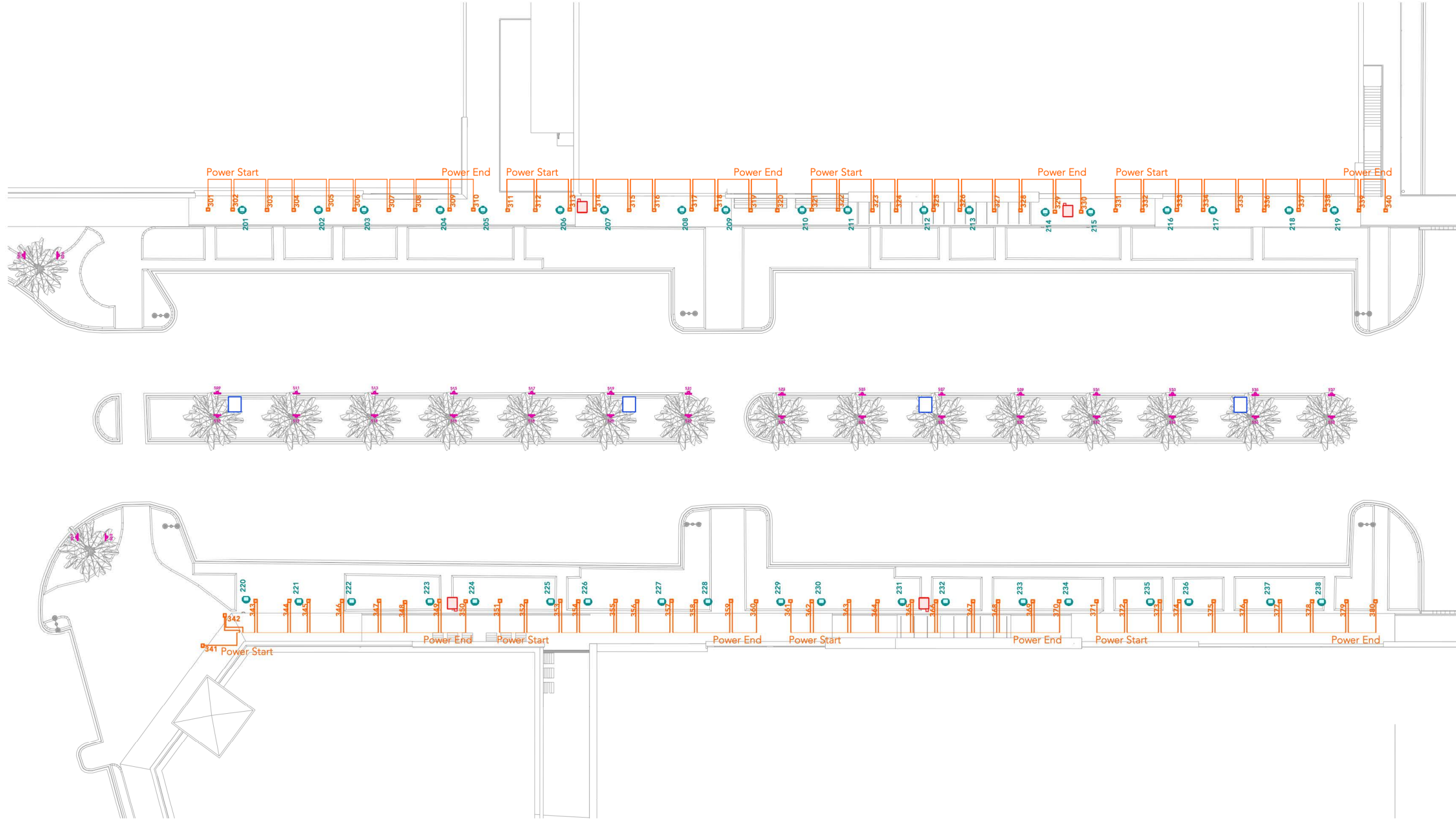
This drawing and information contained herein is for general presentation and information review purposes only. This drawing is not intended for use on or in lieu of engineering design plans. This drawing and the information contained therein is the confidential, proprietary information of Cue 13 Design, LLC, and may not be used or reproduced without the approval of Cue 13 Design, LLC.

ISSUE
5/22/20

DESIGNED BY
R. STUMPP
DRAWN BY
A. LIGHT

Island 1 Riser





**THE WHARF -
SPECTRA
REFURBISHMENT**

VENUE
ORANGE BEACH,
ALABAMA
LOAD IN
05/08/2020

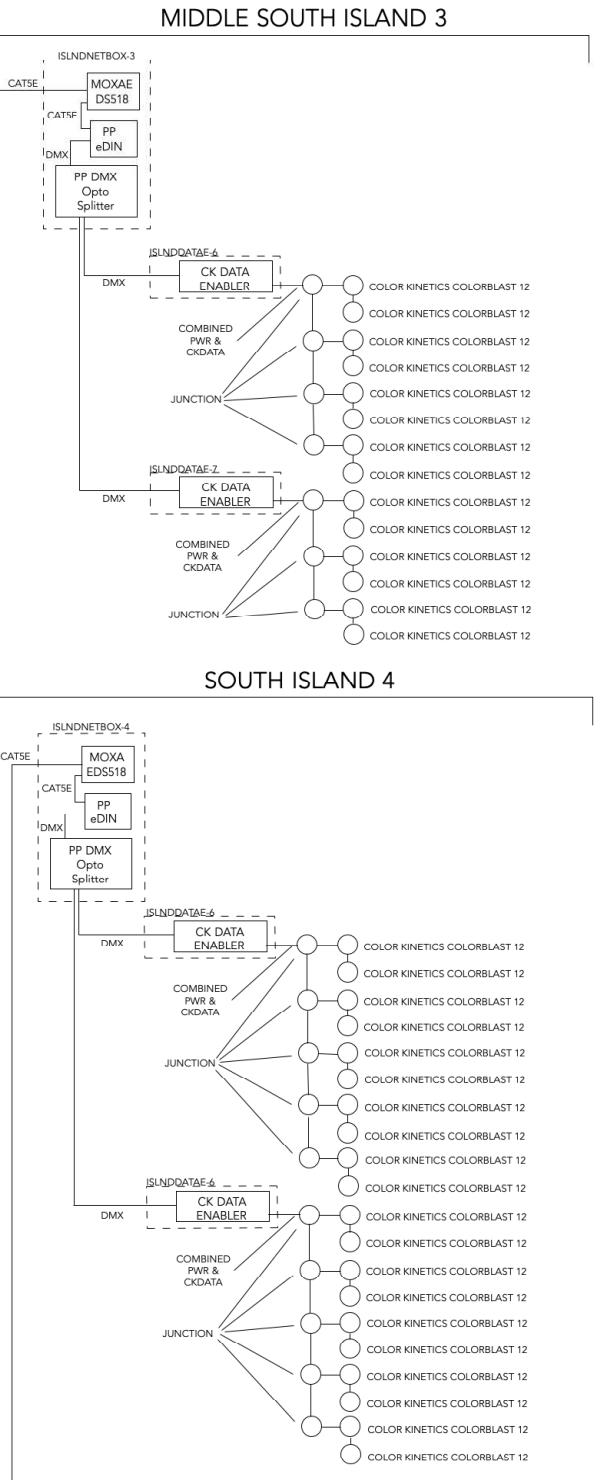
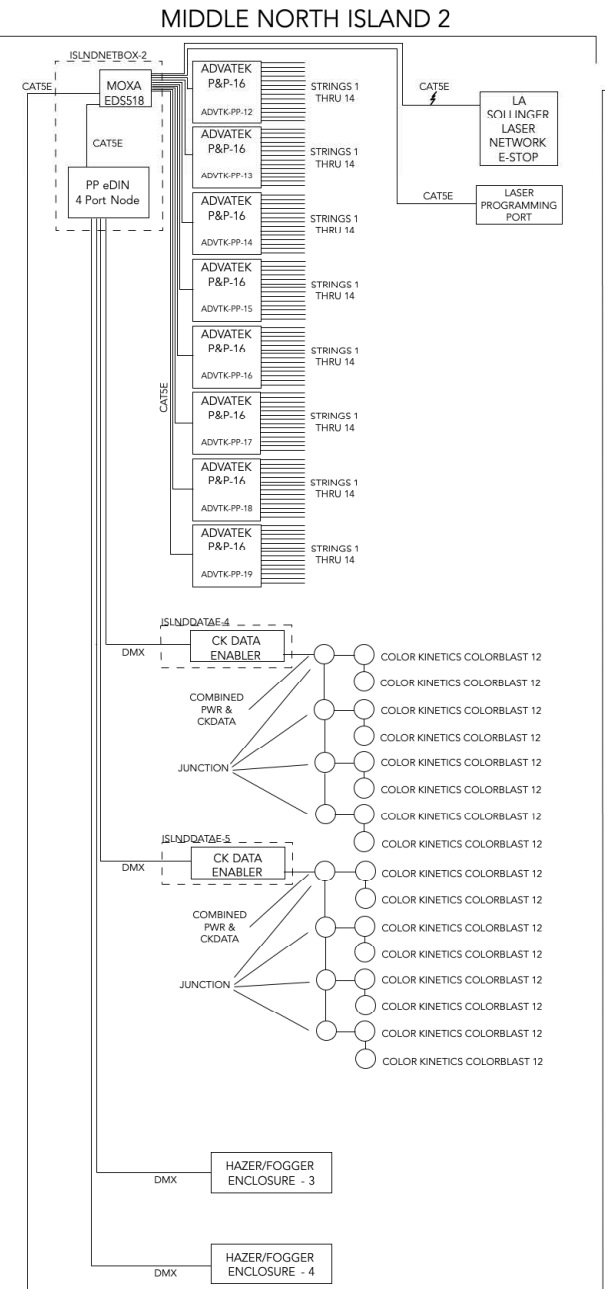
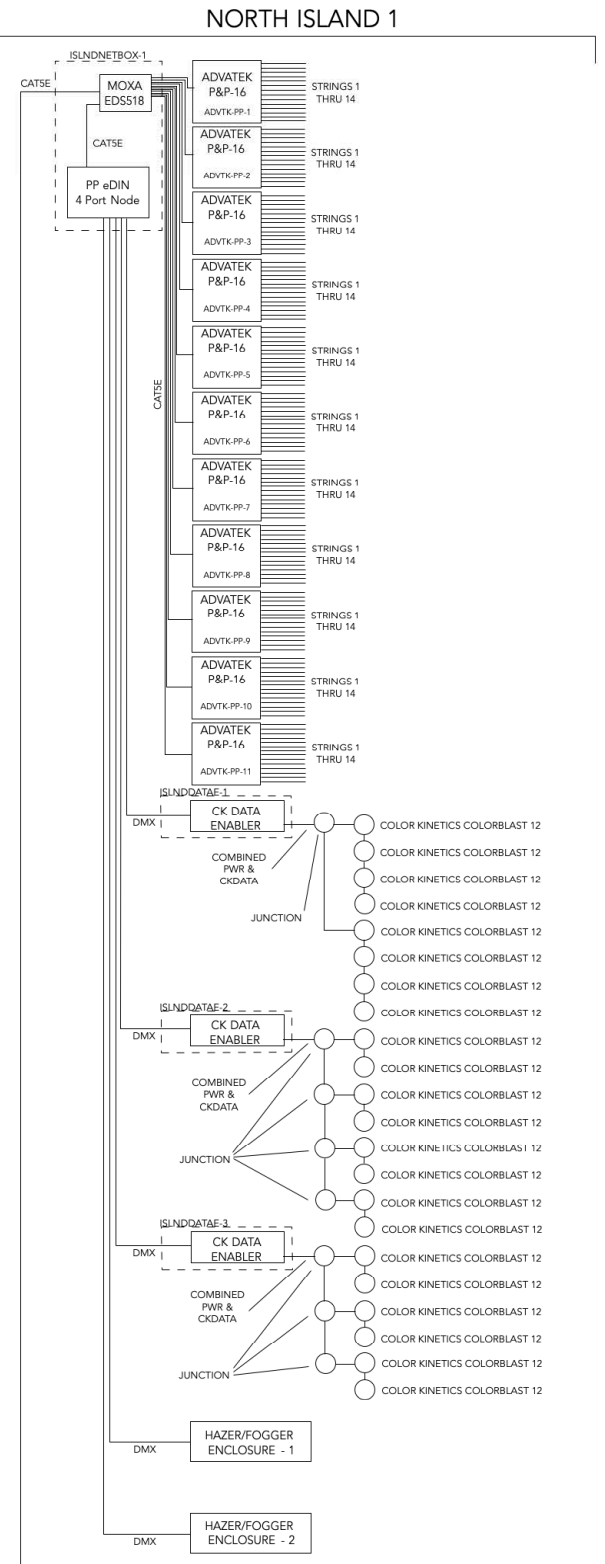
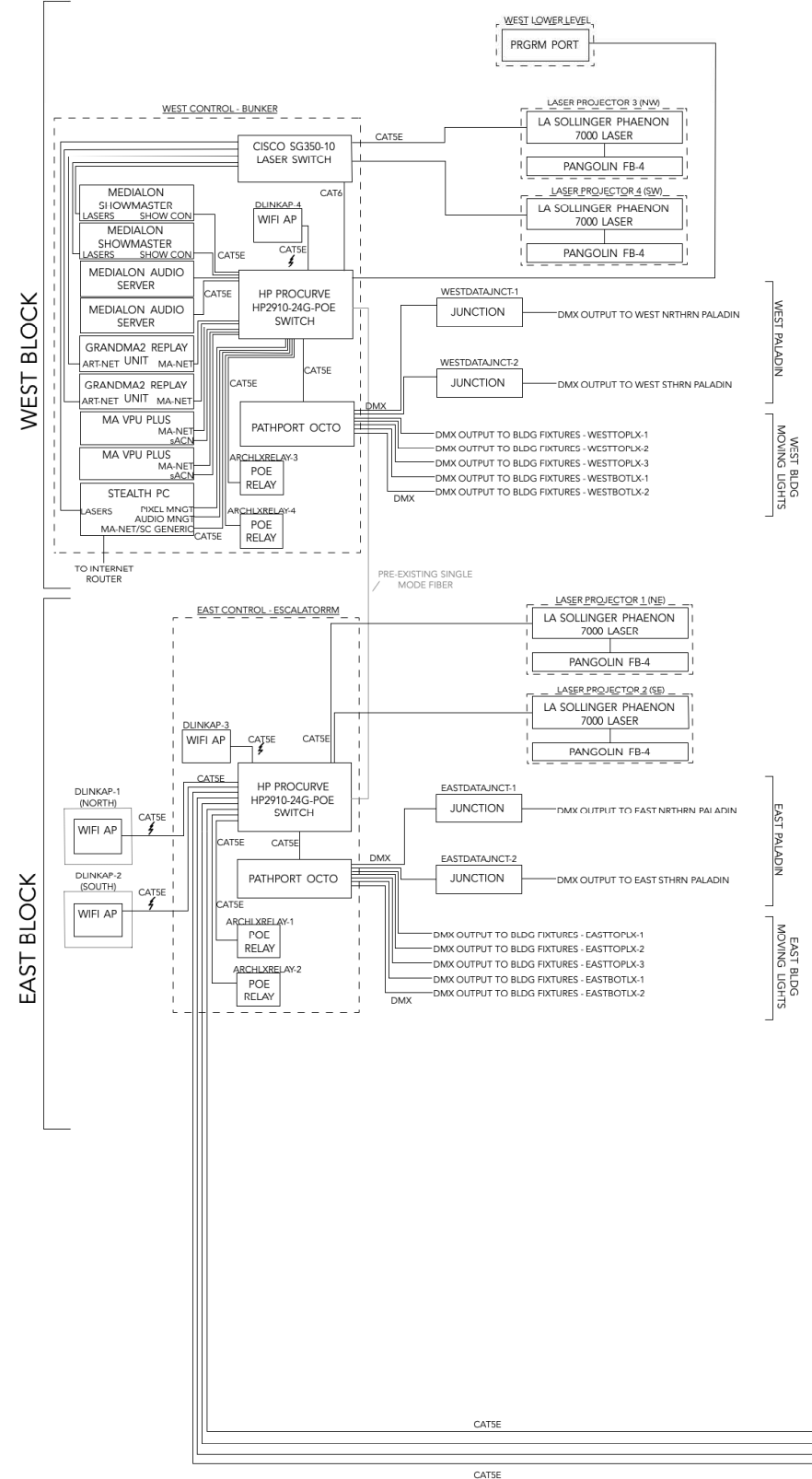
This drawing and information contained herein is for general presentation and information review purposes only. This drawing is not intended for use on or in lieu of engineering design plans. This drawing and the information contained therein is the confidential, proprietary information of Cue 13 Design, LLC, and may not be used or reproduced without the approval of Cue 13 Design, LLC.

ISSUE
5/22/20

DESIGNED BY
R. STUMPP
DRAWN BY
A. LIGHT

**Paladin Cubes
Power Riser**





THE WHARF - SPECTRA REFURBISHMENT

VENUE
ORANGE BEACH, ALABAMA
 LOAD IN
05/08/2020

This drawing and information contained herein is for general presentation and information review purposes only. This drawing is not intended for use on or in lieu of engineering design plans. This drawing and the information contained therein is the confidential, proprietary information of Cue 13 Design, LLC, and may not be used or reproduced without the approval of Cue 13 Design, LLC.

ISSUE
5/22/20

DESIGNED BY
R. STUMPP

DRAWN BY
A. LIGHT

LX Single-Line

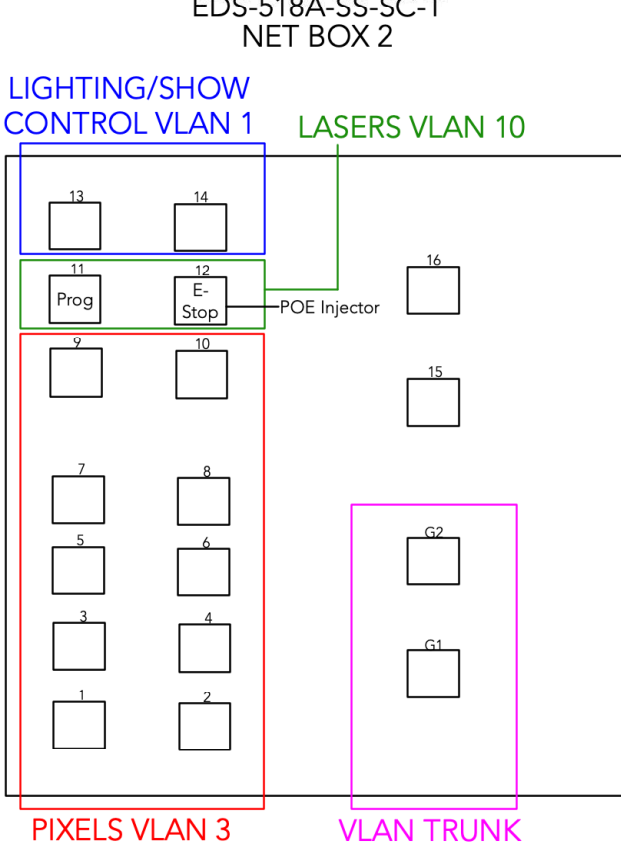
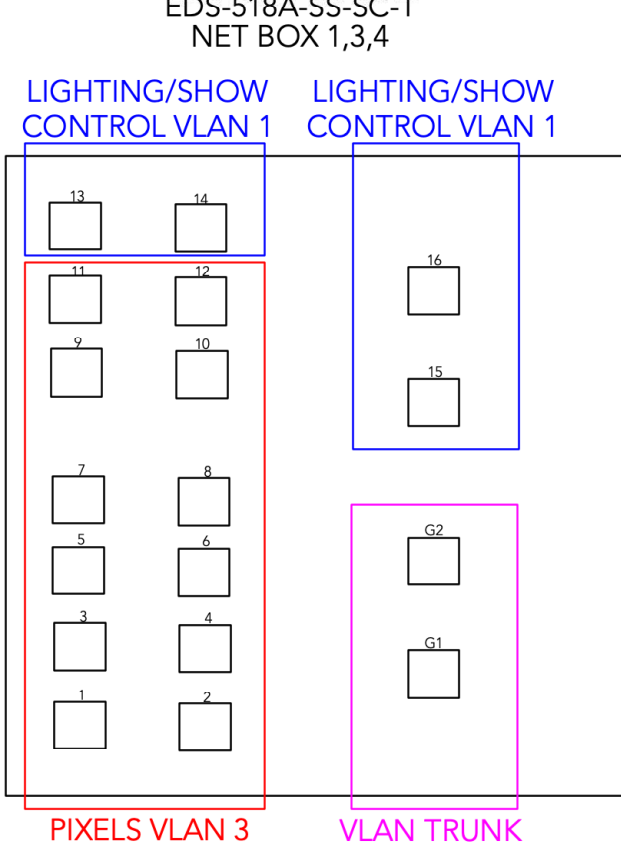
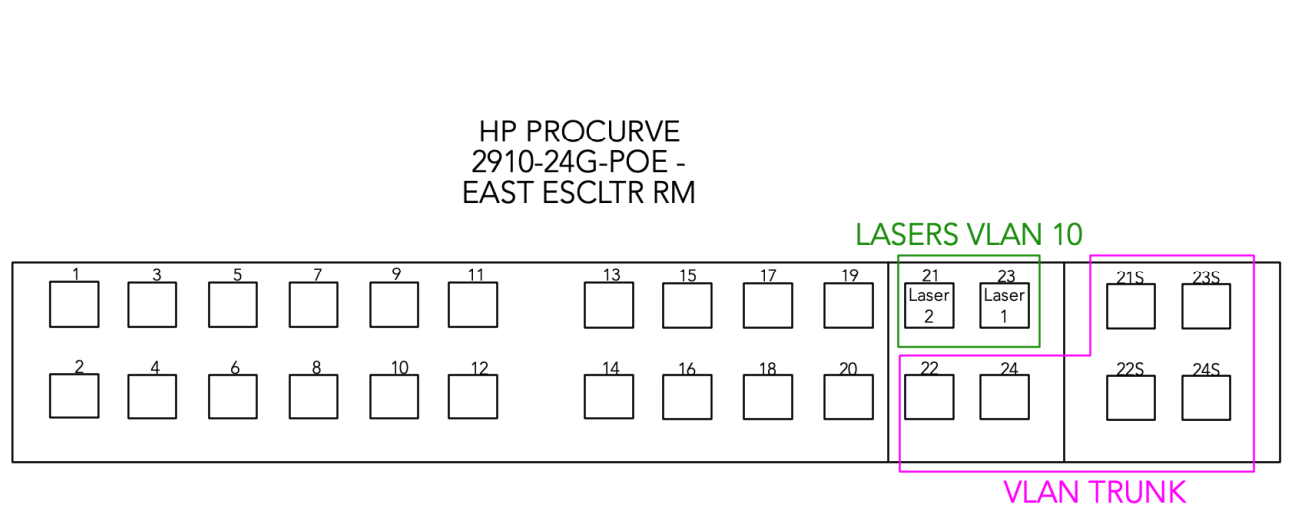
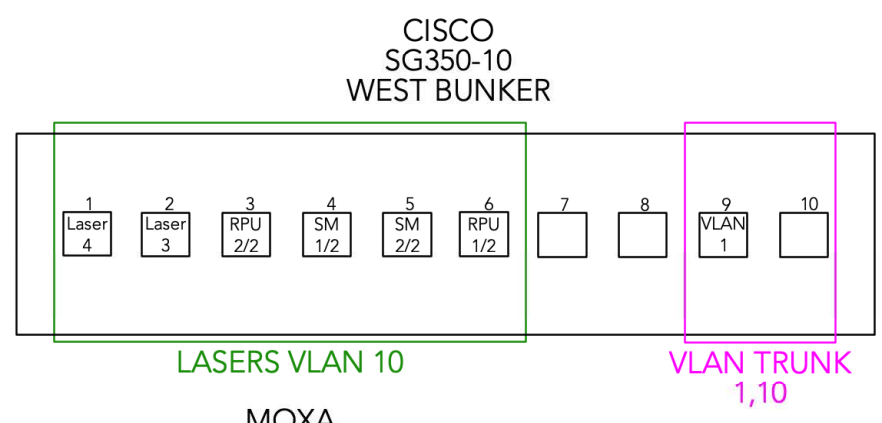
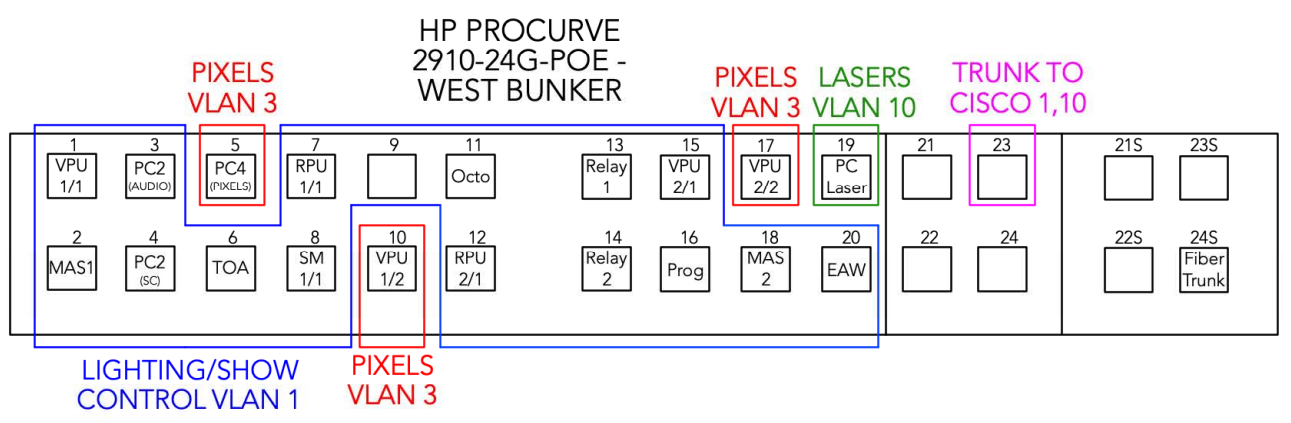
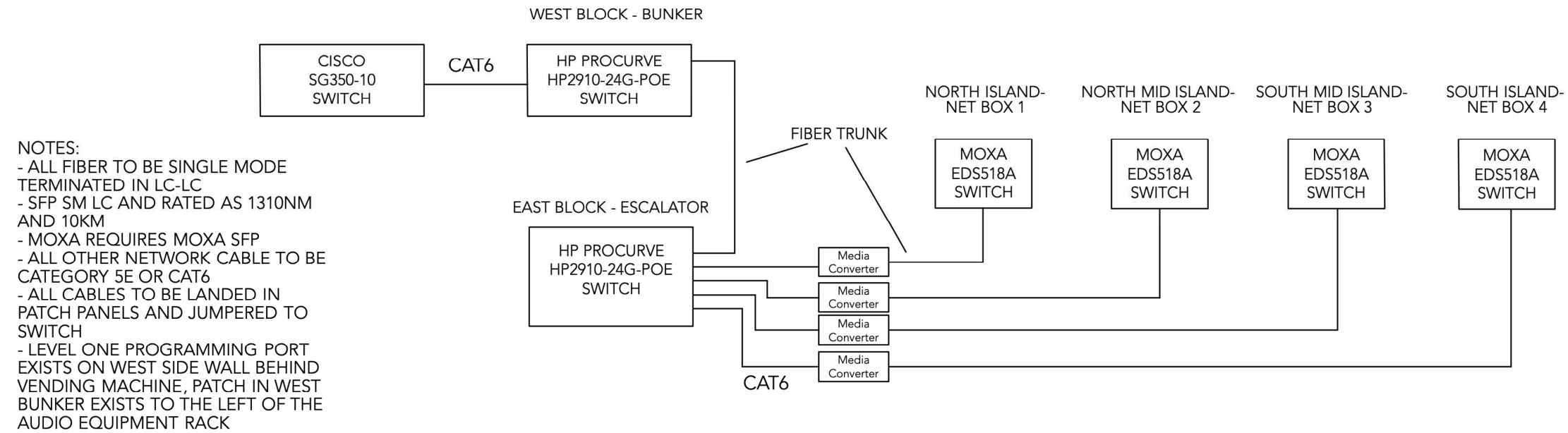


This drawing and information contained herein is for general presentation and information review purposes only. This drawing is not intended for use on or in lieu of engineering design plans. This drawing and the information contained therein is the confidential, proprietary information of Cue 13 Design, LLC, and may not be used or reproduced without the approval of Cue 13 Design, LLC.

ISSUE
5/22/20
DESIGNED BY
R. STUMPP
DRAWN BY
A. LIGHT

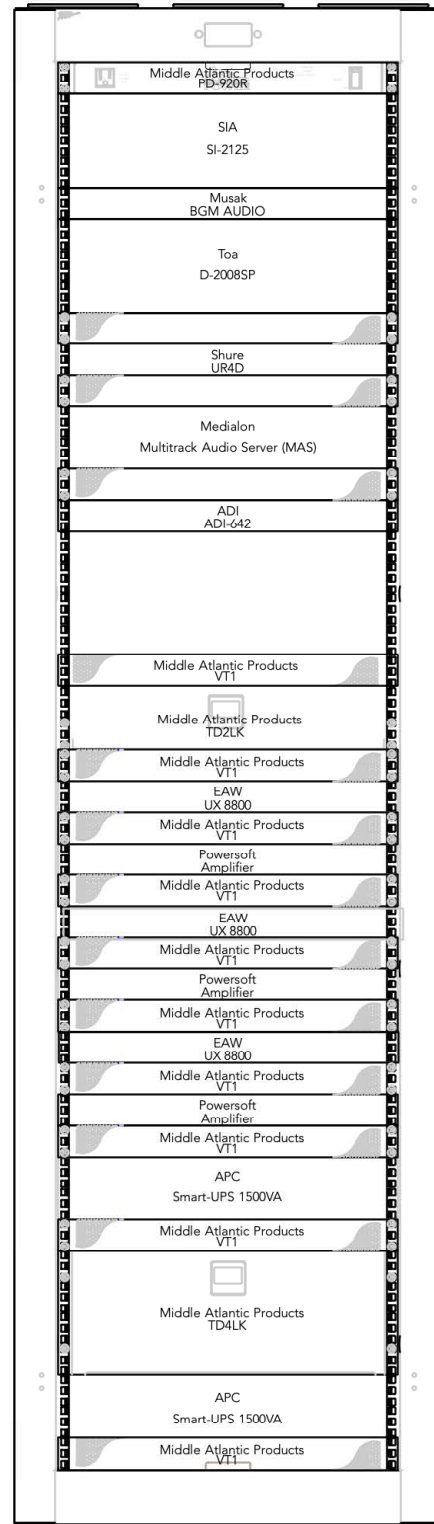
Network
Single-Line

LX
4.1N



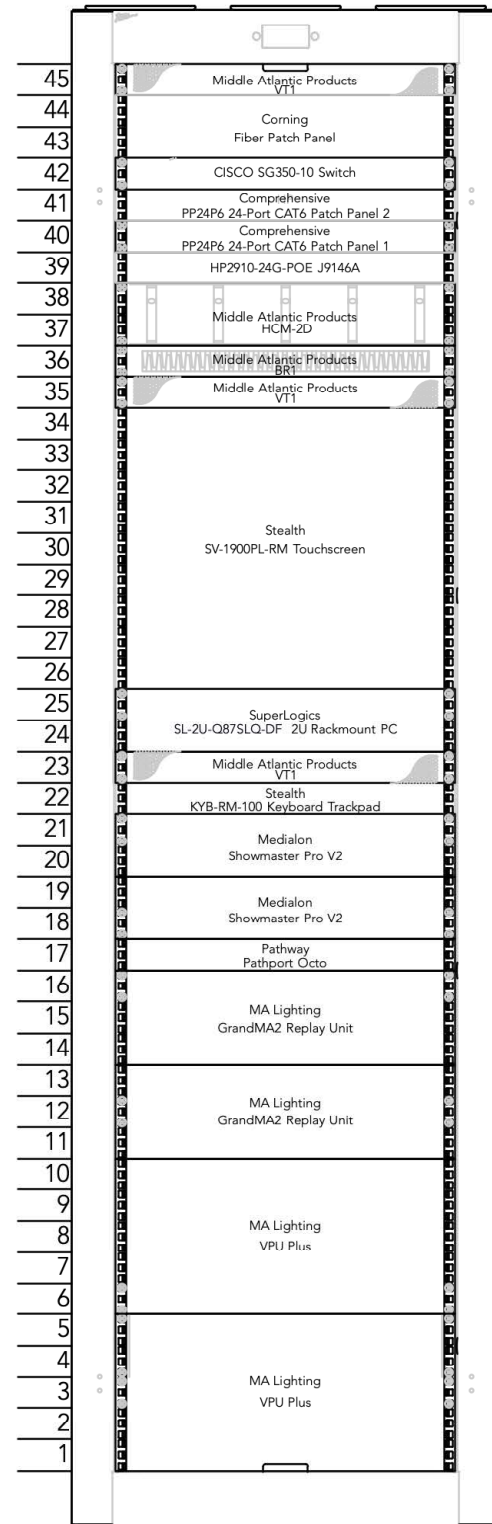
WEST SIDE - BUNKER

AUDIO



Middle Atlantic Products WMRK-4542

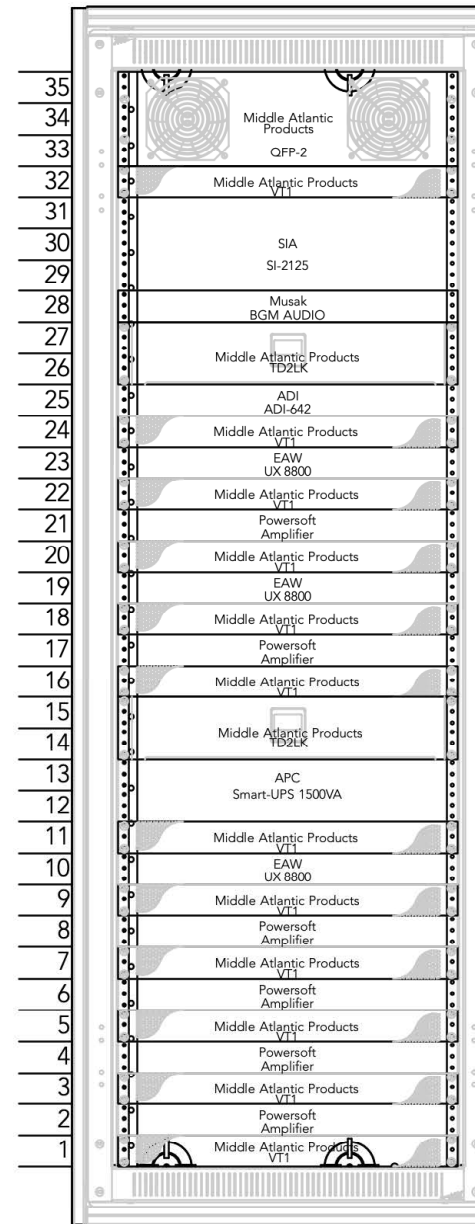
LIGHTING/SHOW CON



Middle Atlantic Products WMRK-4542

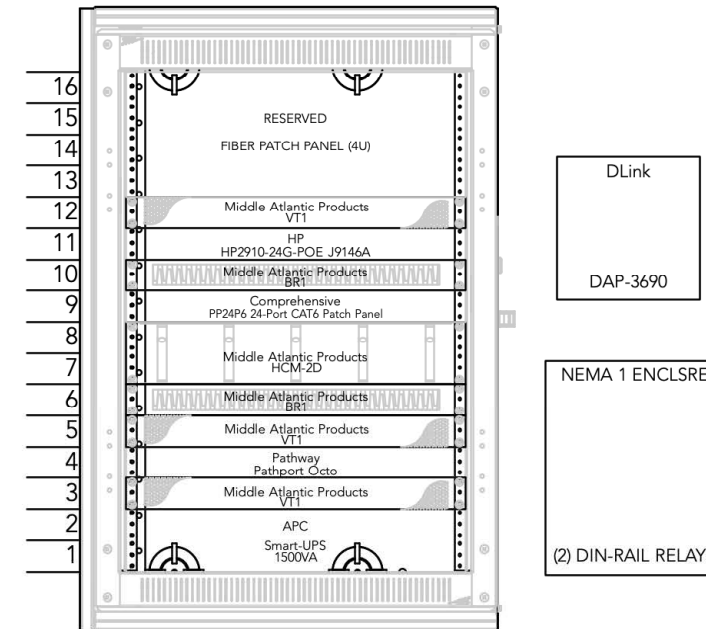
EAST SIDE - ESCALATOR

AUDIO



Middle Atlantic Products DWR-35-22PD

LIGHTING/SHOW CON



Middle Atlantic Products DWR-16-22PD



THE WHARF - SPECTRA REFURBISHMENT

VENUE
ORANGE BEACH,
ALABAMA
LOAD IN
05/08/2020

This drawing and information contained herein is for general presentation and information review purposes only. This drawing is not intended for use on or in lieu of engineering design plans. This drawing and the information contained therein is the confidential, proprietary information of Cue 13 Design, LLC, and may not be used or reproduced without the approval of Cue 13 Design, LLC.

ISSUE
5/22/20

DESIGNED BY
R. STUMPP
DRAWN BY
A. LIGHT

Rack Elevations

LX
4.10

THE WHARF -
SPECTRA
REFURBISHMENT

VENUE
ORANGE BEACH,
ALABAMA
LOAD IN
05/08/2020

This drawing and information contained herein is for general presentation and information review purposes only. This drawing is not intended for use on or in lieu of engineering design plans. This drawing and the information contained therein is the confidential, proprietary information of Cue 13 Design, LLC, and may not be used or reproduced without the approval of Cue 13 Design, LLC.

ISSUE
5/22/20

DESIGNED BY
R. STUMPP

DRAWN BY
A. LIGHT

Color Kinetics
Colorblast 12P
Spec Sheet

LX
6.1A

COLORBLAST 12 POWERCORE



ColorBlast[®] 12 Powercore is a marriage of Color Kinetics' popular ColorBlast 12 fixture and Powercore[®] technology. This product combines rich, saturated wall washing color and color changing effects with high-performance, operational efficiency, and simplified installation.

Powercore technology is a digital power processing technology to drive LED systems, integrating power and data management directly into the fixture and eliminating the need for an external power supply. Powercore surpasses traditional power supply technology by streamlining multiple conversion and regulation stages into a single, flexible, microprocessor-controlled power stage that controls power output to LED systems directly from line voltage and significantly increases overall system efficiency. Built-in active power factor correction (PFC) yields higher system efficiencies and minimizes stress on building wiring, making the installation and system more cost effective.

Projecting a soft-edge beam of light, ColorBlast 12 Powercore is a sealed product designed for both indoor and outdoor installations. The fixture is fully enclosed in a stylish and rugged die-cast aluminum housing and meets or exceeds specifications for use in wet locations. ColorBlast 12 Powercore has a single 4 conductor cable and attaches to standard junction boxes with 3.5" center-to-center hole spacing. The pre-assembled mounting base provides smooth, friction-free rotation. The base is designed to simplify installation by minimizing parts and allowing for after-installation rotation, eliminating the need for precise junction box positioning. With up to 350° rotation, the locking base swivel, along with 110° locking fixture rotation, offers a versatile range of light positioning. Four mounting screws ensure a water-tight, maximum longevity seal.

ColorBlast 12 Powercore receives data via Color Kinetics' Data Enabler—a data formatting device that accepts DMX or Color Kinetics' Light System Manager (LSM) Ethernet protocol. A ColorBlast 12 Powercore Installation Tool is available to calculate the number of fixtures per Data Enabler for specific installations. The following is a sample: In an installation using a 60 foot (18.3 m), 12AWG leader cable with 12AWG, 5 feet of cable between fixtures, each Data Enabler can support to 25 fixtures at 120VAC (15A), 34 fixtures at 120VAC (20A), or 60 fixtures at 240VAC (20A). ColorBlast 12 Powercore can be controlled by Color Kinetics' line of controllers, including Light System Manager, or a third-party DMX controller.

CHROMACORE[®]
BY COLOR KINETICS

POWERCORE[®]
BY COLOR KINETICS

OPTIBIN[®]
BY COLOR KINETICS

☀️ DRY

💧 DAMP

🌊 WET

CE LISTED 13PE

COLORBLAST 12 POWERCORE SPECIFICATIONS

COLOR RANGE	16.7 million (24bit) additive RGB colors; continuously variable intensity
SOURCE	36 High intensity RGB LEDs
BEAM ANGLE	10° clear lens, 23° ground lens
HOUSING	Die cast aluminum, powder coated
LENS	Softfocus tempered glass or clear tempered glass
CONNECTORS	Unified power and data cable
LISTINGS	UL/cUL, CE
COMMUNICATION SPECIFICATIONS	
DATA INTERFACE	Color Kinetics Data Enabler
CONTROL	Color Kinetics full line of controllers including Light System Manager or other DMX512 (RS485) sources

ELECTRICAL SPECIFICATIONS

INPUT	100-240VAC, 50-60 Hz
POWER CONSUMPTION	50W @ 110-240VAC (60W @ 100VAC)
POWER FACTOR	0.95 or greater @ 120VAC

ENVIRONMENTAL SPECIFICATIONS

TEMPERATURE RANGE	-40°F to 122°F (-40°C to 50°C) operating temperature -4°F to 122°F (-20°C to 50°C) starting temperature
PROTECTION RATING	IP66 (Suitable for wet locations.)

LED SOURCE LIFE

In traditional lamp sources, lifetime is defined as the point at which 50% of the lamps fail. This is also termed Mean Time Between Failure (MTBF). LEDs are semiconductor devices and have a much longer MTBF than conventional sources. However, MTBF is not the only consideration in determining useful life. Color Kinetics uses the concept of useful light output for rating source lifetimes. Like traditional sources, LED output degrades over time (lumen depreciation) and this is the metric for SLL lifetime. LED lumen depreciation is affected by numerous environmental conditions such as ambient temperature, humidity, and ventilation. Lumen depreciation is also affected by means of control, thermal management, current levels, and a host of other electrical design considerations. Color Kinetics systems are expertly engineered to optimize LED life when used under normal operating conditions. Lumen depreciation information is based on LED manufacturers' source life data as well as other third party testing. Low temperatures and controlled effects have a beneficial effect on lumen depreciation. Overall system lifetime could vary substantially based on usage and the environment in which the system is installed. Temperature and effects will affect lifetime. Color Kinetics rates product lifetime using lumen depreciation to 50% of original light output. When the fixture is running at room temperature using a color wash effect, the range of lifetime is in the range of 80,000-100,000 hours. This is LED manufacturers' test data. High output is defined as any LED device that is 1/2 watt or above. For more detailed information on source life, please see www.colorkinetics.com/lifetime.

ITEM# 123-000005-00 (UL White, Frosted Lens)
123-000005-01 (UL Black, Frosted Lens)
123-000005-02 (EU White, Frosted Lens)
123-000005-03 (EU Black, Frosted Lens)
123-000005-04 (UL White, Clear Lens)
123-000005-05 (UL Black, Clear Lens)
123-000005-06 (EU White, Clear Lens)
123-000005-07 (EU Black, Clear Lens)

This product is protected by one or more of the following patents:
U.S. Patent Nos. 6,016,035, 6,150,774 and other patents listed at
http://colorkinetics.com/patents/. Other patents pending.

©2005-2006 Color Kinetics Incorporated. All rights reserved.
Chromacore, Chromasic, Color Kinetics, the Color Kinetics logo, ColorBlast, ColorBlaze, ColorBurst, ColorCast, ColorPlay, ColorScope, Direct Light, iColor, iColor Cove, iPlayer, Optibin, Powercore, QuickPlay, Sauce, the Sauce logo, and Smartice are registered trademarks and DIMwand, EssentialWhite, IntelliWhite, and Light Without Limits are trademarks of Color Kinetics Incorporated.

BR0166 Rev 03

Specifications subject to change without notice.
Refer to www.colorkinetics.com for the most recent data sheet versions.

COLORBLAST 12 POWERCORE - CLEAR LENS

PHOTOMETRIC PERFORMANCE

Photometric data is based on test results from an independent testing lab.

SOURCE SPECIFICATIONS

Optics:	Clear tempered glass lens
Source:	36 LEDs (12 Red, 12 Green, 12 Blue)
Beam Angle:	10 degrees
Distribution:	Symmetric direct illumination

ILLUMINANCE DISTRIBUTION

2.1	3.4	4.2	3.8	2.7	1.8	6.0'/2.0m
22.6	36.6	45.2	40.9	29.1	19.4	
2.8	8.3	13.3	9.8	4.4	2.3	5.0'/1.5m
30.1	89.3	143.2	105.5	47.4	24.8	
3.6	27.8	54.3	36.8	9.6	2.9	4.0'/1.2m
38.8	299.2	584.5	396.1	103.3	31.2	
3.7	29.8	75.9	74.7	28.6	3.6	3.0'/1.0m
39.8	320.8	817.0	804.1	307.9	38.8	
3.0	11.0	40.9	58.5	29.3	3.8	2.0'/0.6m
32.3	118.4	440.2	629.7	315.4	40.9	
2.6	4.7	11.7	16.5	9.9	3.0	1.0'/0.3m
28.0	50.6	125.9	177.6	106.6	32.3	
3.0'/1.0m		0'/0m			3.0'/1.0m	

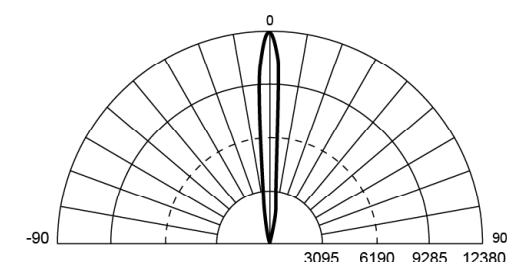
Units: Footcandles (top)/Lux (bottom)
10.8 lux = 1 fc
Measured on: All, reflectance model 80/50/20%
Distance from surface: Bottom center of grid, 3' (1.0 m) from surface, light at a 45° angle off horizontal

ILLUMINANCE

COLOR	3'	6'	9'	15'
	1m	2m	3m	5m
WHITE	1369.0 14735.9	341.0 3670.5	151.0 1625.4	54.6 587.7
RED	424.4 4568.1	105.7 1137.9	46.8 503.9	16.9 182.2
GREEN	547.6 5894.4	136.4 1468.2	60.4 650.1	21.8 235.1
BLUE	287.5 3094.5	71.6 770.8	31.7 341.3	11.5 123.4

Measured in Footcandles (top)/Lux (bottom) on axis.
Measured on: All, reflectance 0.

CANDLE POWER DISTRIBUTION



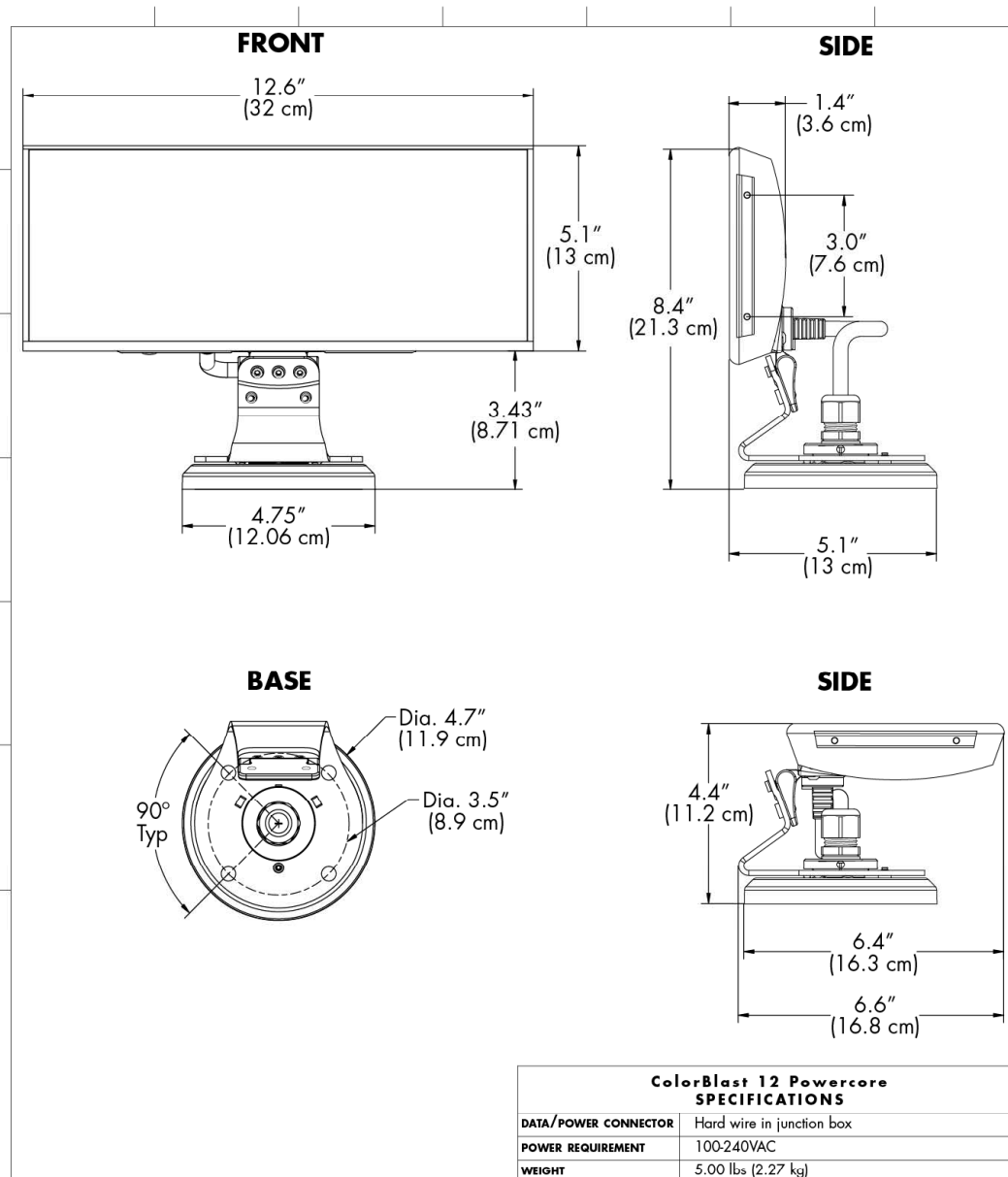
Measured on: White
Beam center: 12380 cd
Thin dashed lined: Indicates 50% of peak
Multipliers: 0.31 Red, 0.40 Green, 0.21 Blue

LIGHT OUTPUT

COLOR	TOTAL OUTPUT (lumens)	POWER (Watts)	EFFICACY (Lm/W)
WHITE	660	50.0	13.2
RED	204.6	15.6	13.1
GREEN	264.0	21.7	12.2
BLUE	138.6	21.7	6.4

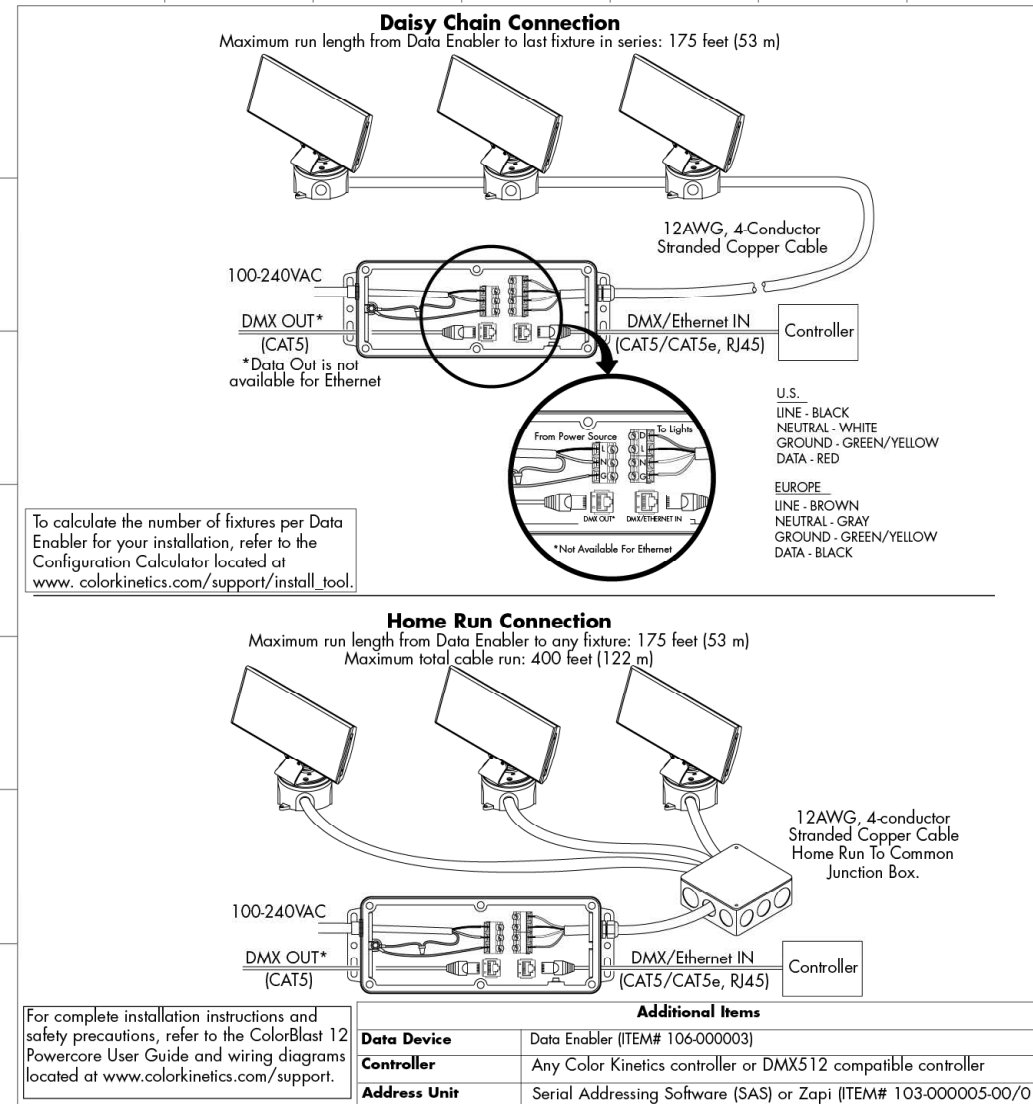
COLORBLAST 12 POWERCORE

PHYSICAL DIMENSIONS



COLORBLAST 12 POWERCORE

FUNCTIONAL FLOW DIAGRAM



OPTIBIN®
There are inherent variations in the fabrication processes of all semiconductor materials. For LEDs, this variance results in differences in the color and intensity of light output as well as electrical characteristics. Due to these differences, LED manufacturers sort production into "bins," but insuring the availability of a single bin is very difficult. To minimize this issue and achieve optimal color consistency in its products, Color Kinetics has developed and uses a proprietary technology called Optibin. Optibin is an advanced production binning optimization process that minimizes the effects of LED variance for the best possible output uniformity in the final product. Color Kinetics Optibin technology gives the most consistent control of color and intensity from product to product.

**PALADIN[™]
CUBE**



The **PALADIN Cube™** is a compact and powerful outdoor floodlight for a wide variety of applications. Using 9x15W RGBW cells it provides a total output of up to 3,200 lumens. Certified to IP65 it features a rugged design with a solid build quality, eliminating the need to worry about dust and water ingress. IP rated connections make it an ideal product to illuminate large areas of any outdoor event with vibrant and powerful colors. It can be operated standing on the floor or be hung in any orientation using the provided omega bracket. Cell control, strobe, Elation's E-FLY™ Internal Wireless DMX Transceiver, and removable frost filter features make the PALADIN Cube also a versatile effects fixture or audience blinder.

FEATURES

RGBW Flood Light

3x1 Cell Control

Removable Frost Filter

Rugged IP65 Design for Outdoor Events

Floor Standing or Mountable in any Orientation

Elation's E-FLY™ Internal Wireless DMX Transceiver



Removable Frost Filter

ELATION | PALADIN CUBE | Product Specification Sheet

Specifications are subject to change without notice ©Elation Professional 10/22/19
Elation Professional USA | 6122 S. Eastern Ave. | Los Angeles, CA 90040
323-582-3322 | 323-832-9142 fax | www.elationlighting.com | info@elationlighting.com

Elation Professional B.V. | Junostraat 2 | 6468 EW Kerkrade, The Netherlands
+31 45 546 85 66 | +31 45 546 85 96 fax | www.elationlighting.eu | info@elationlighting.eu

specifications | ELATION PALADIN CUBE | www.elationlighting.com

SPECIFICATIONS

SOURCE

(9) 15W RGBW LEDs
Up To 50,000 Hours Lamp Life*

*Test Label Conditions. May vary depending on several factors including but not limited to: Environmental Conditions, Power/Voltage, Usage Patterns (On-Off Cycling), Control Dimming, and Lamp Mode.

PHOTOMETRIC DATA

6,000K Color Temperature
3,200 Total Lumen Output
1.4° Beam 25° Field Angle (without diffuser)
2.6° Beam 52° Field Angle (with diffuser)

COLOR

RGBW

CONTROL / CONNECTIONS

11 DMX Channel Modes (32 total channels)
3x1 Cell Control
Manual Tilt Adjustment
900 - 25,000 Hz DMX Adjustable Refresh Rate
4 Button Control Panel
180° Reversible OLED Menu Display
DMX and RDM Protocol Support
Elation's E-FLY™ Internal Wireless DMX Transceiver
IP65 5pin XLR DMX In/Out
IP65 Power In/Out

SIZE / WEIGHT

Length: 7.8 in (199.11mm)
Width: 5.4 in (139mm)
Height: 7.8 in (248.04mm)
Weight: 10.5 lbs. (4.75kg)

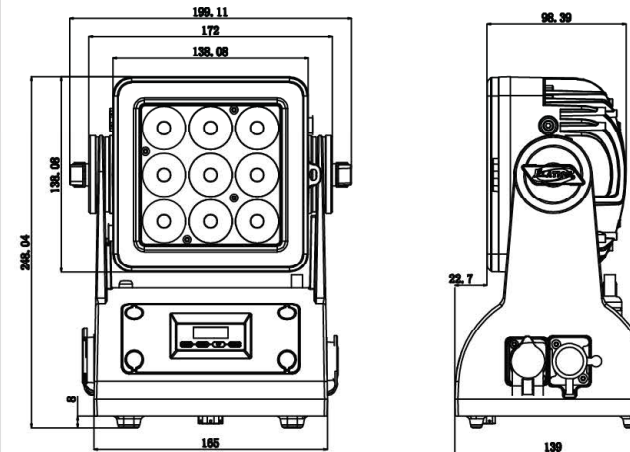
ELECTRICAL / THERMAL

AC 100-240V - 50/60Hz
120W Max Power Consumption
5°F to 113°F (-15°C to 45°C)

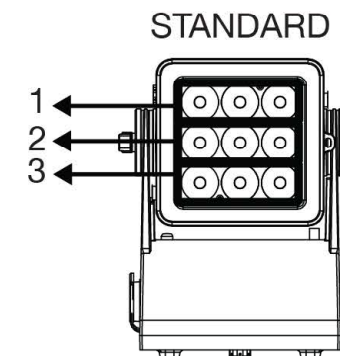
APPROVALS / RATINGS

CE | | IP65

DIMENSIONS



PIXEL ZONE CONTROL



ORDERING INFORMATION

PAL258	PALADIN CUBE
--------	--------------



Specifications are subject to change without notice ©Elation Professional 10/22/19
Elation Professional USA | 6122 S. Eastern Ave. | Los Angeles, CA 90040
323-582-3322 | 323-832-9142 fax | www.elationlighting.com | info@elationlighting.com

Elation Professional B.V. | Junostraat 2 | 6468 EW Kerkrade, The Netherlands
+31 45 546 85 66 | +31 45 546 85 96 fax | www.elationlighting.eu | info@elationlighting.eu



**THE WHARF -
SPECTRA
REFURBISHMENT**

VENUE
**ORANGE BEACH,
ALABAMA**
LOAD IN
05/08/2020

This drawing and information contained herein is for general presentation and information review purposes only. This drawing is not intended for use on or in lieu of engineering design plans. This drawing and the information contained therein is the confidential, proprietary information of Cue 13 Design, LLC, and may not be used or reproduced without the approval of Cue 13 Design, LLC.

ISSUE
5/22/20

DESIGNED BY
R. STUMPP
DRAWN BY
A. LIGHT

**Elation Paladin
Cube Spec Sheet**

**LX
6.1E**



The **Rayzor 760™** is a compact yet extremely powerful IP65 rated Wash Effects fixture featuring Elation's unique SparkLED™ system and fast continuous Pan and Tilt motion. With its wide zoom range from 5° to 77° it provides intense and well-defined mid-air beams at over 8,000 lumens as well as an exceptionally wide and even wash coverage, making it a perfect tool for any application, even in adverse outdoor conditions. SparkLEDs offer a prominent and innovative LED pixel effect with dedicated high brightness pixels inside the large front lenses for additional layers of creativity.

Driven by 7, independently controlled, 60W RGBW LEDs, delivering over 8,000 lumens of output with a total power of 420W, the Rayzor 760 provides a powerful beam that stands out on any stage. The oversized front lenses create a large surface on the fixture that is enhanced by the exclusive patent pending SparkLEDs technology. SparkLEDs consists of 28 individual white LEDs, strategically placed inside the lens itself to create a unique additional layer, allowing designers access to a new and innovative way of creating interest on the stage. Rayzor 760 offers this never seen before style of internal lens illumination for depth and visual impact. SparkLEDs are controllable by the lighting console or driven by a multitude of internal FX patterns.

In addition to its powerful wash and enhanced effects, the Rayzor 760 offers precise continuous pan & tilt rotation, allowing variable speed from slow to extremely fast movement effects. Combining the powerful LED output with the SparkLEDs while utilizing the 360° movement, allows the designer to create endless, unique and appealing designs from mid-air beams or wide stage washes to subtle effects for mood or the TV camera lens.



FEATURES

- IP65 Certified LED Wash Effects Fixture
- 7x 60W OSRAM RGBW LED with Pixel Control
- 28x 2W SparkLED™ Effect with Pixel Control (patent pending)
- Extreme Zoom – 5° for Mid-Air Beam to 77° for Even Washes
- Fast and Precise 360° Continuous Pan and Tilt Rotation
- Beam FX and Smooth Wash Fixture in a Compact Housing
- FIL (Form In Lay) Polyurethane Foam Packaging Included

Specifications are subject to change without notice ©Elation Professional 10/09/19
 Elation Professional USA | 6122 S. Eastern Ave. | Los Angeles, CA. 90040
 323-582-3322 | 323-832-9142 fax | www.elationlighting.com | info@elationlighting.com

Elation Professional B.V. | Junostraat 2 | 6468 EW Kerkrade, The Netherlands
 +31 45 546 85 66 | +31 45 546 85 96 fax | www.elationlighting.eu | info@elationlighting.eu

ELATION | PROTEUS RAYZOR 760 | Product Specification Sheet

specifications | ELATION PROTEUS RAYZOR 760 | www.elationlighting.com

PRODUCT SPECIFICATIONS

SOURCE
 (7) 60W Osram RGBW LEDs
 (28) 2W White SparkLED™
 Up To 50,000 Hours LED Life*
*Test lab conditions. May vary depending on several factors including but not limited to: Environmental Conditions, Power/Voltage, Usage Patterns (On-Off Cycling), Control, and Dimming.

PHOTOMETRIC DATA
 Up To 8,000 Total Lumen Output

EFFECTS
 Motorized Zoom (5° - 77°)
 Linear Color Temperature Presets (2,700 - 8,000K)
 RGBW Color Mixing and Pixel Control
 White SparkLED Lens Effect
 Color Presets and Macros
 Electronic Strobe and Variable Dimming Curves
 16-bit Dimming

CONTROL / CONNECTIONS
 3 DMX Channel Modes (25 / 52 / 80 channels)
 360° Continuous Pan and Tilt Movement
 900 - 25,000 Hz DMX Adjustable Refresh Rate
 6 Button Touch Panel
 Full Color 180° Reversible LCD Menu Display
 DMX, RDM, Art-NET, and sACN Protocol Support
 IP65 5pin XLR DMX In/Out
 IP65 RJ45 Ethernet In/Out
 Neutrik PowerCON TRUE1 Power In/Out

SIZE / WEIGHT
 Length: 14.31 in (363.4mm)
 Width: 10.24 in (259.97mm)
 Height: 19.43 in (493.44mm)
 Weight: 41.0 lbs. (18.6kg)

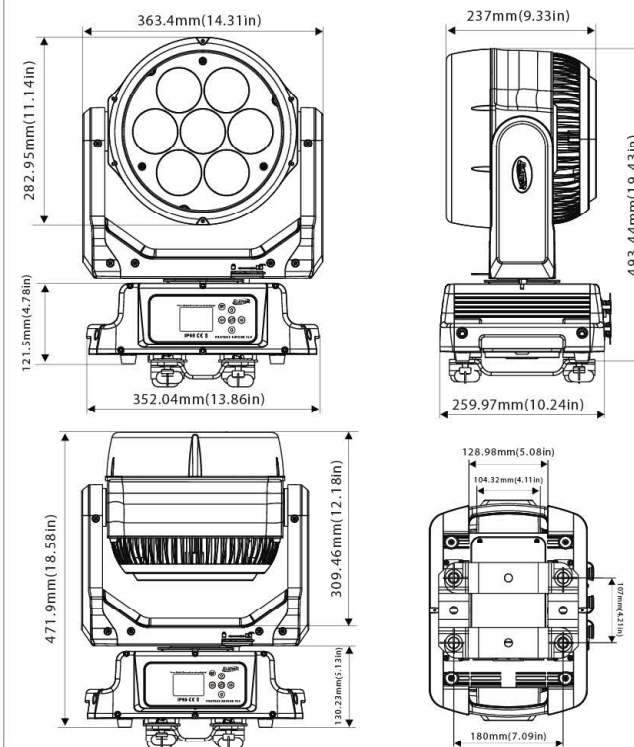
ELECTRICAL / THERMAL
 AC 100-240V - 50/60Hz
 700W Max Power Consumption
 14°F to 113°F (-10°C to 45°C)

APPROVALS / RATINGS
 CE | cETLus | FCC | IP65

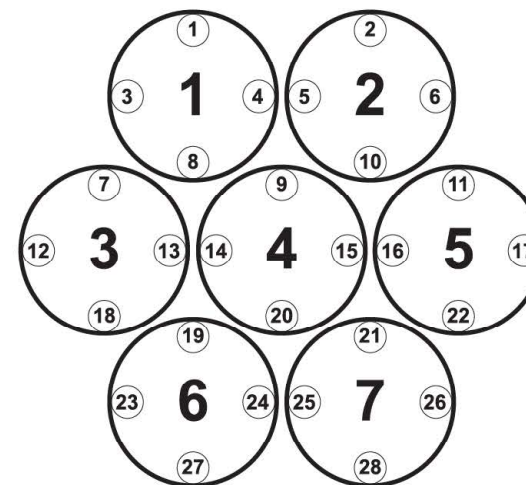
ORDERING INFORMATION

PRR760	PROTEUS RAYZOR 760
DRCPRO760	Quad Road Case For PROTEUS RAYZOR 760
TRIGGER CLAMP	Heavy Duty Wrap Around Hook Style Clamp
STR527	5 ft. (1.5m) IP65 Seeltronic 5pin XLR Cable

DIMENSIONS



RGBW and SparkLED PIXEL MAPPING



Specifications are subject to change without notice ©Elation Professional 10/09/19
 Elation Professional USA | 6122 S. Eastern Ave. | Los Angeles, CA. 90040
 323-582-3322 | 323-832-9142 fax | www.elationlighting.com | info@elationlighting.com

Elation Professional B.V. | Junostraat 2 | 6468 EW Kerkrade, The Netherlands
 +31 45 546 85 66 | +31 45 546 85 96 fax | www.elationlighting.eu | info@elationlighting.eu



THE WHARF - SPECTRA REFURBISHMENT

VENUE
 ORANGE BEACH,
 ALABAMA
 LOAD IN
 05/08/2020

This drawing and information contained herein is for general presentation and information review purposes only. This drawing is not intended for use on or in lieu of engineering design plans. This drawing and the information contained therein is the confidential, proprietary information of Cue 13 Design, LLC, and may not be used or reproduced without the approval of Cue 13 Design, LLC.

ISSUE
 5/22/20

DESIGNED BY
 R. STUMPP
 DRAWN BY
 A. LIGHT

Elation Proteus Rayzor 760 Spec Sheet

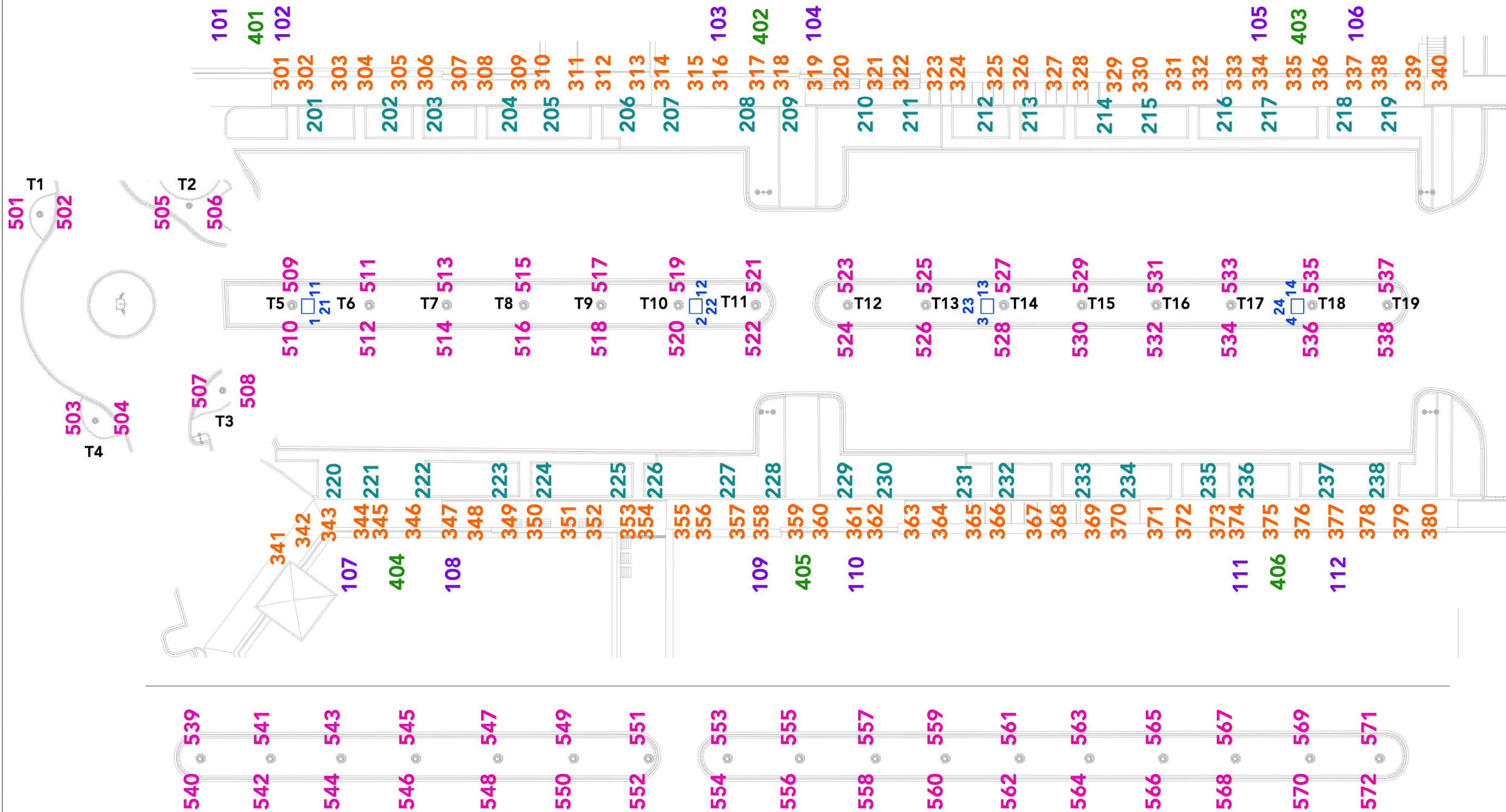
LX 6.1H

KEY

- 1 Look Solutions Viper 2.6 Fogger
- 10 Look Solutions Unique 2.1 Hazer
- 20 Antari AF-5 Effects Fan
- 100 Elation Proteus Hybrids
- 200 Elation Proteus Rayzor 760s
- 300 Elation Paladin Cubes
- 400 Elation Paladin Panels
- 500 Color Kinetic Color Blast 12 Powercores

MAGIC SHEET

- 3001 Medialon Architectural Lights Trigger
- 901-904 Pengolin FB4 Control
- CHAN 1-2 Random Sparkle Strobe Non-Dim EAST
- CHAN 3-4 Random Sparkle Strobe Non-Dim WEST



THE WHARF - SPECTRA REFURBISHMENT

VENUE
ORANGE BEACH,
ALABAMA
LOAD IN
05/08/2020

This drawing and information contained herein is for general presentation and information review purposes only. This drawing is not intended for use on or in lieu of engineering design plans. This drawing and the information contained therein is the confidential, proprietary information of Cue 13 Design, LLC, and may not be used or reproduced without the approval of Cue 13 Design, LLC.

ISSUE
5/22/20

DESIGNED BY
R. STUMPP

DRAWN BY
A. LIGHT

Magic Sheet

